

Alukov®



POOLSTORE 

PARADE / PARADE LOW

(SPARE PARTS WAREHOUSE)



Distributor:
ALUKOV a.s., Orel 18, 538 21 Slatiňany
Tel.: +420 469 681 488, Mobil: +420 731 623 475
E-mail: info@alukov.cz
www.alukov.cz, www.enclosure.guru

99.SPW.0002.EN
revision: 01.02. 2025

DETERMINING SIDES FOR ENCLOSURE

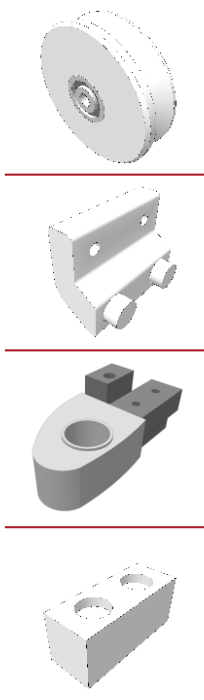
THE LEFT AND RIGHT SIDE OF ENCLOSURE DETERMINE AT CORRECTLY ACCORDING TO VIEW ON LARGE FACE

STEP - 2



LEFT SIDE OF ENCLOSURE

SIDE - WHEEL FOR RAIL

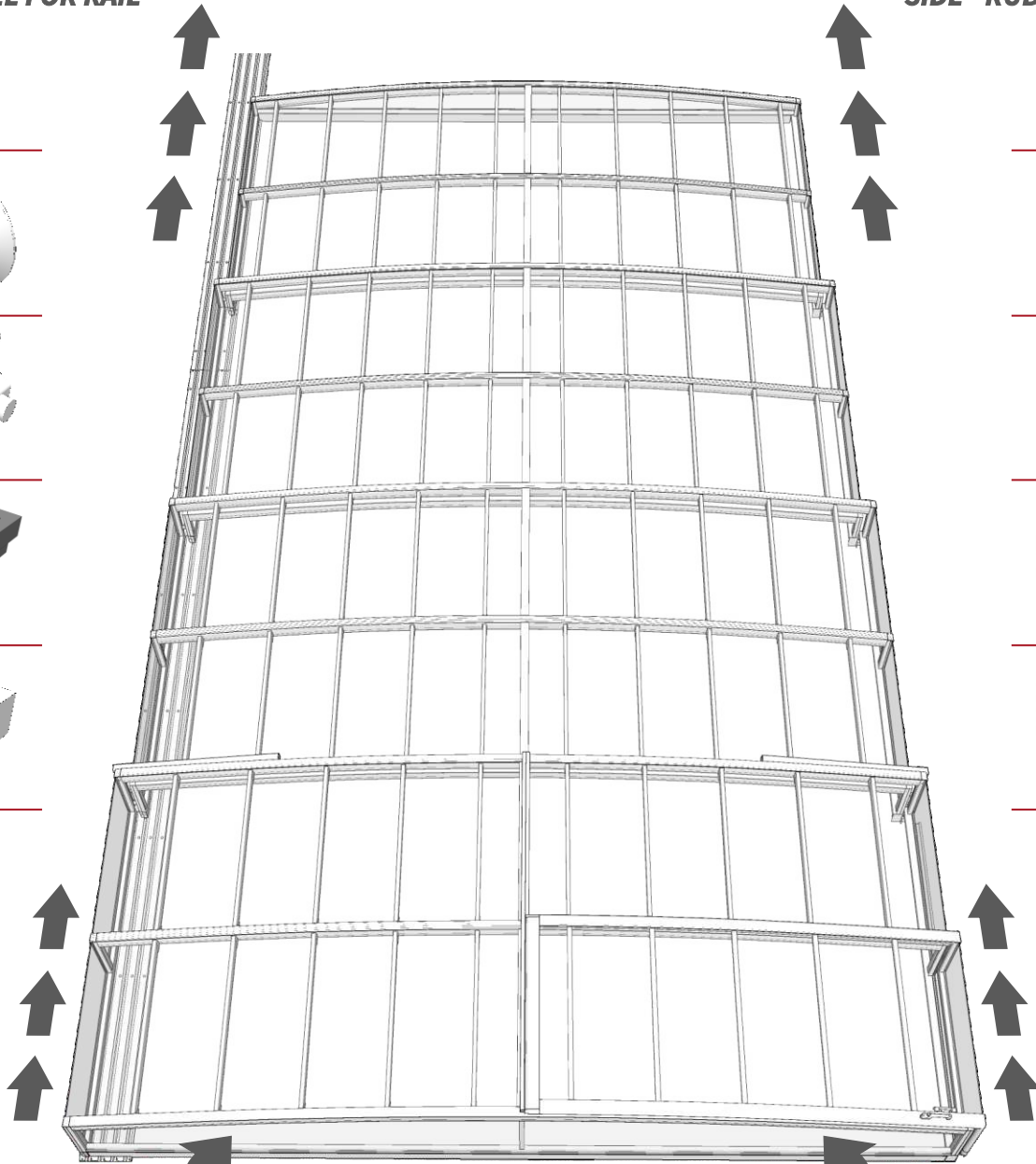
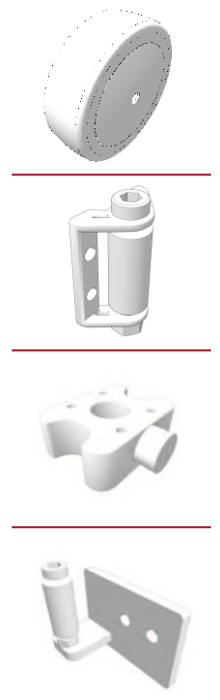


STEP - 3



RIGHT SIDE OF ENCLOSURE

SIDE - RUBBER WHEELS



STEP - 1

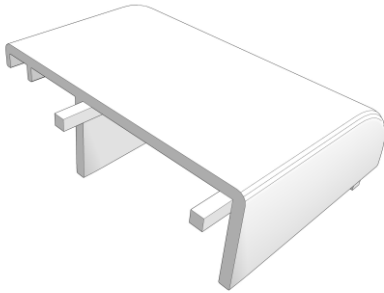
ALWAYS LOOK AT THE LARGE FACE



OVERVIEW OF SPARE PARTS FOR SEGMENT

PARADE - CORNER CAP 10°

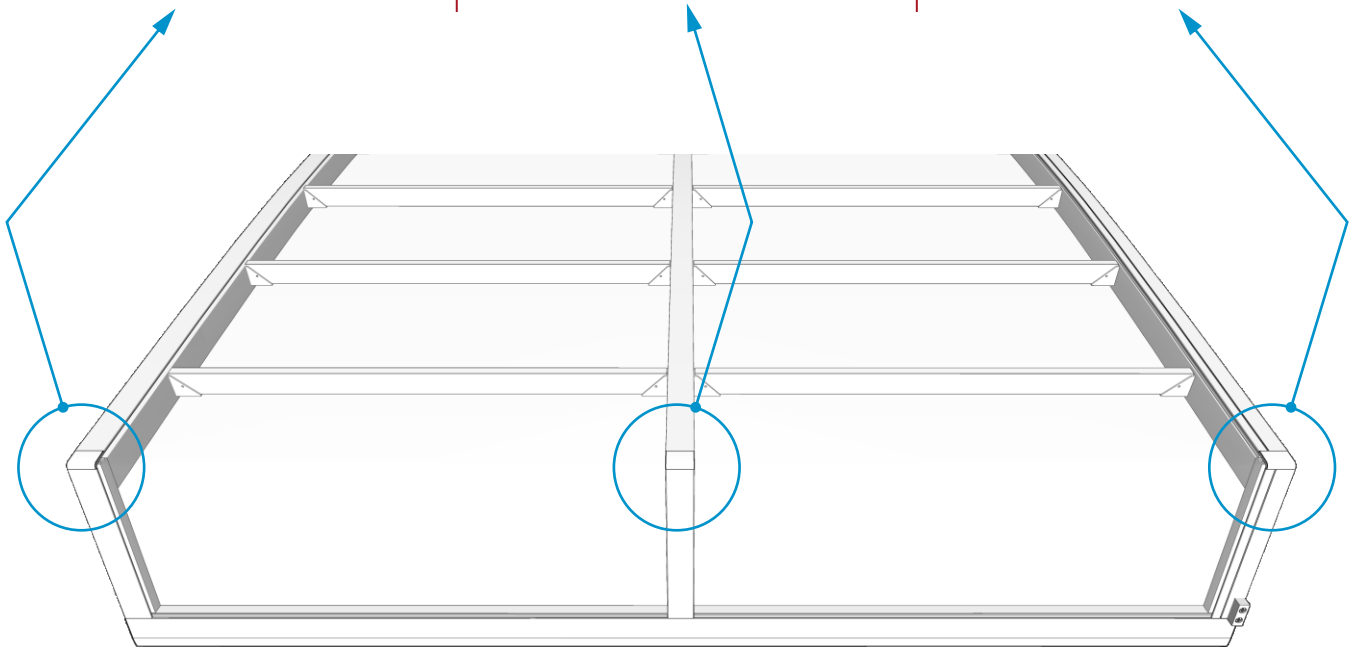
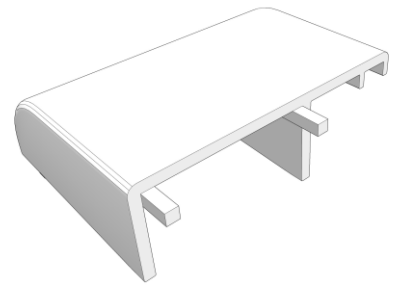
CORNER CAP - LEFT



CORNER CAP - CENTRE

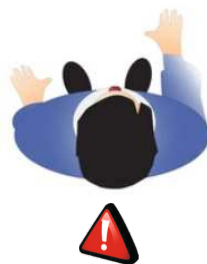


CORNER CAP - RIGHT



LEFT SIDE OF ENCLOSURE

SIDE - WHEEL FOR RAIL

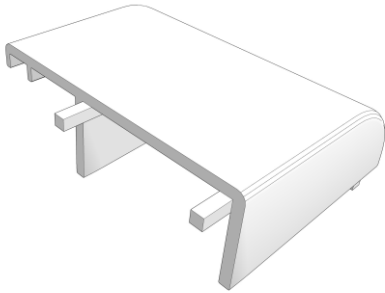


LOOK AT THE SIDE OF EACH SEGMENT

OVERVIEW OF SPARE PARTS FOR SEGMENT

PARADE - CORNER CAP 10°

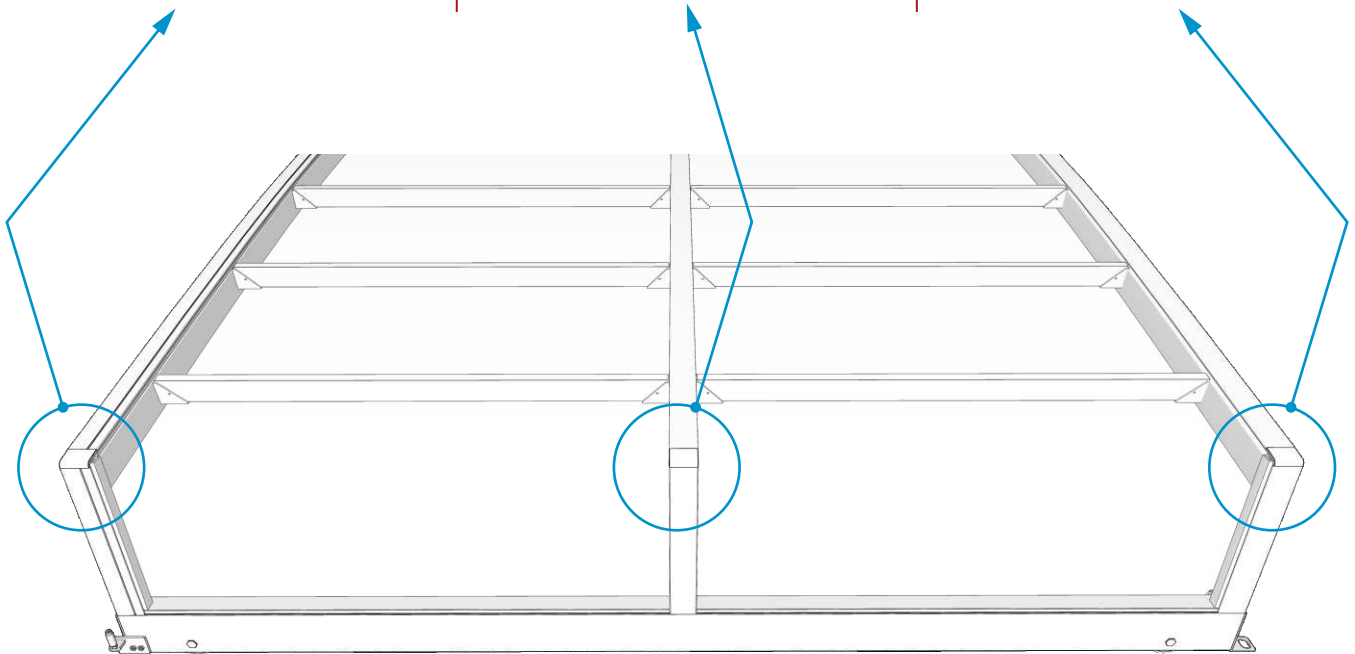
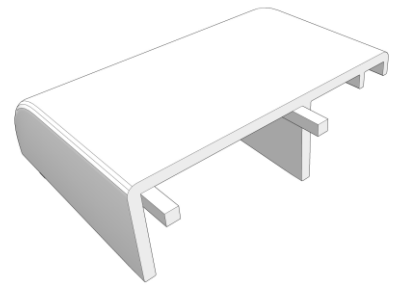
CORNER CAP - LEFT



CORNER CAP - CENTRE

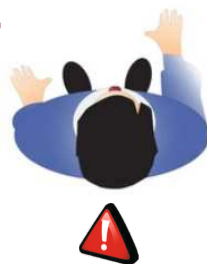


CORNER CAP - RIGHT



RIGHT SIDE OF ENCLOSURE

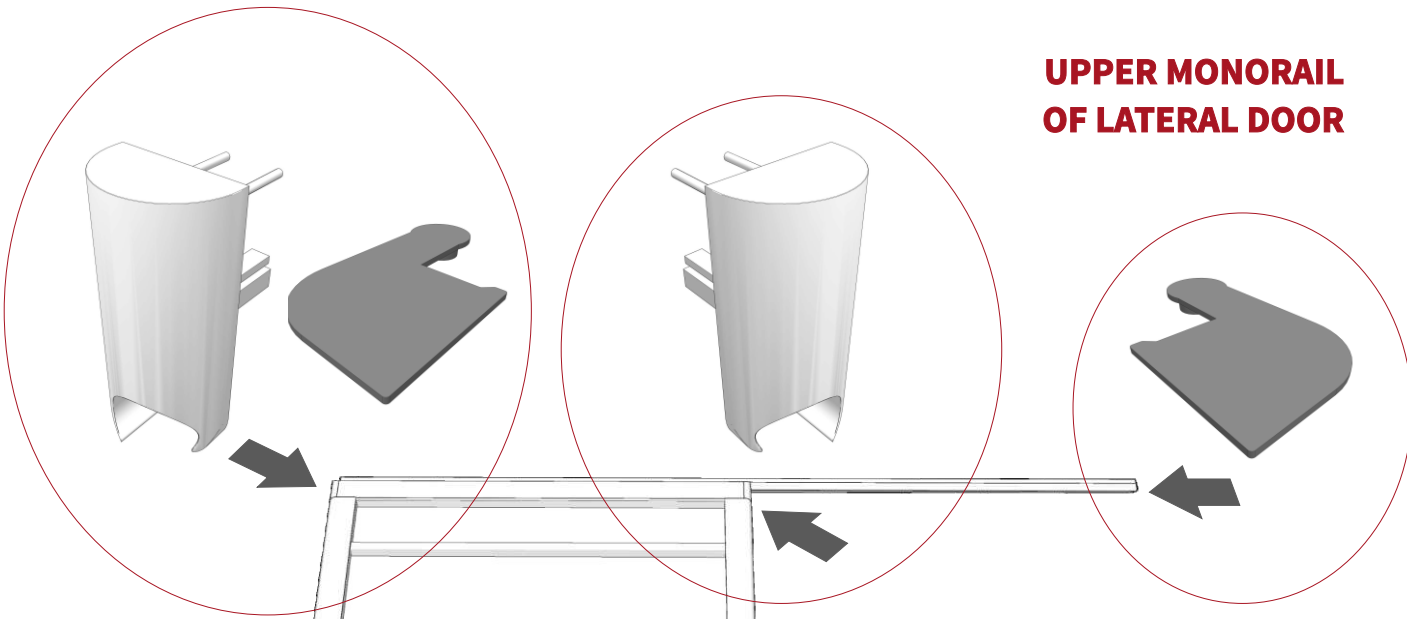
SIDE - RUBBER WHEELS



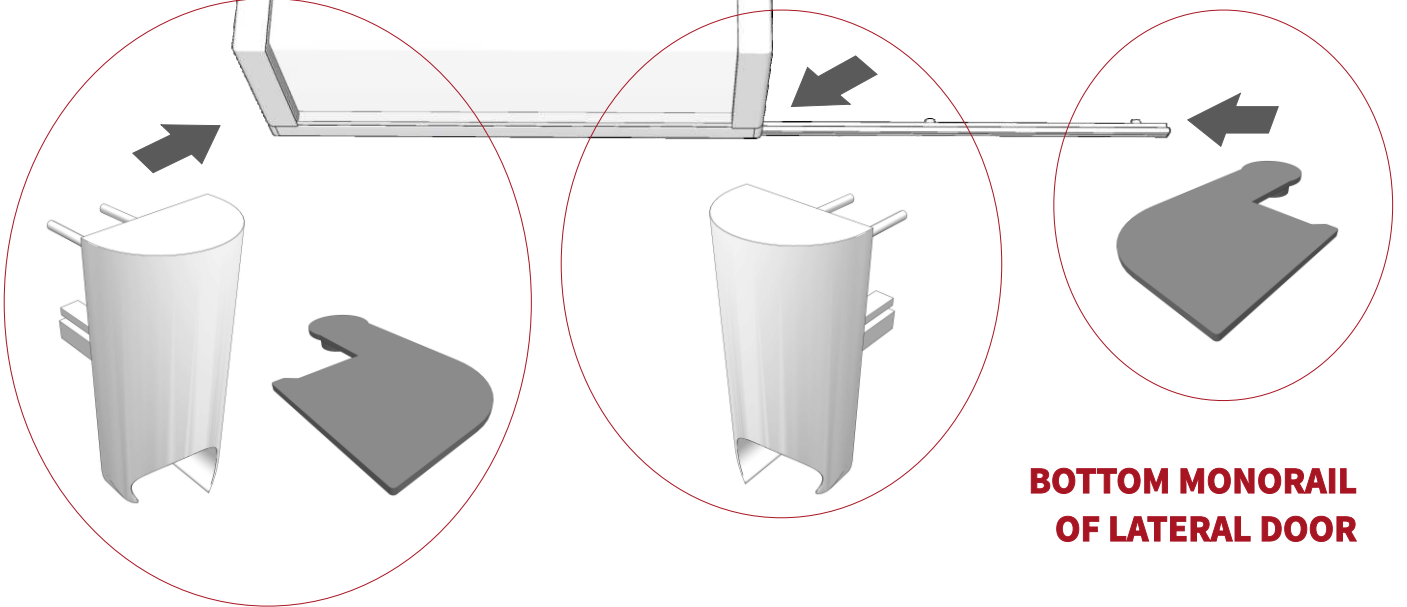
LOOK AT THE SIDE OF EACH SEGMENT

OVERVIEW OF SPARE PARTS FOR LATERAL DOOR

**UPPER MONORAIL
OF LATERAL DOOR**



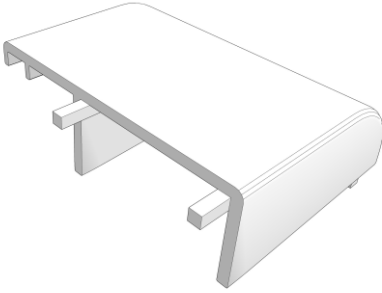
**BOTTOM MONORAIL
OF LATERAL DOOR**



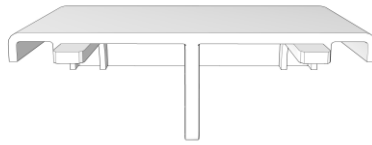
OVERVIEW OF SPARE PARTS FOR SEGMENT

PARADE LOW - CORNER CAP 3°

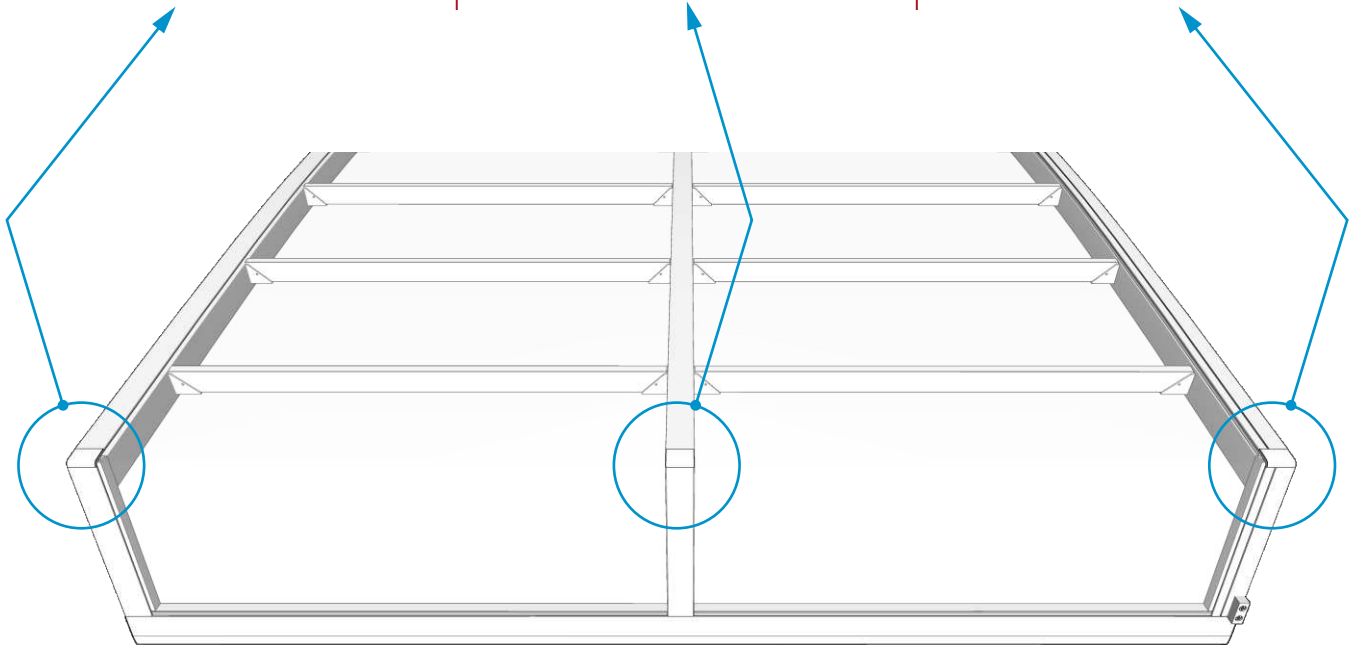
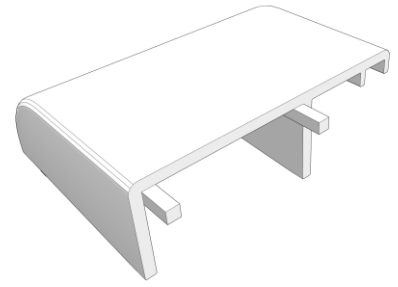
CORNER CAP - LEFT



CORNER CAP - CENTRE

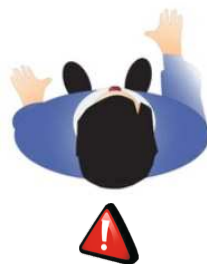


CORNER CAP - RIGHT



LEFT SIDE OF ENCLOSURE

SIDE - WHEEL FOR RAIL

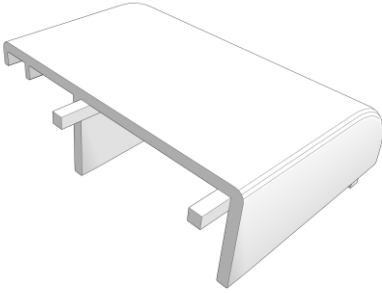


LOOK AT THE SIDE OF EACH SEGMENT

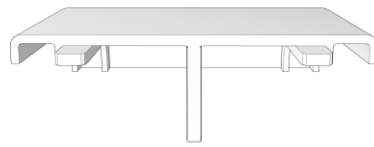
OVERVIEW OF SPARE PARTS FOR SEGMENT

PARADE LOW - CORNER CAP 3°

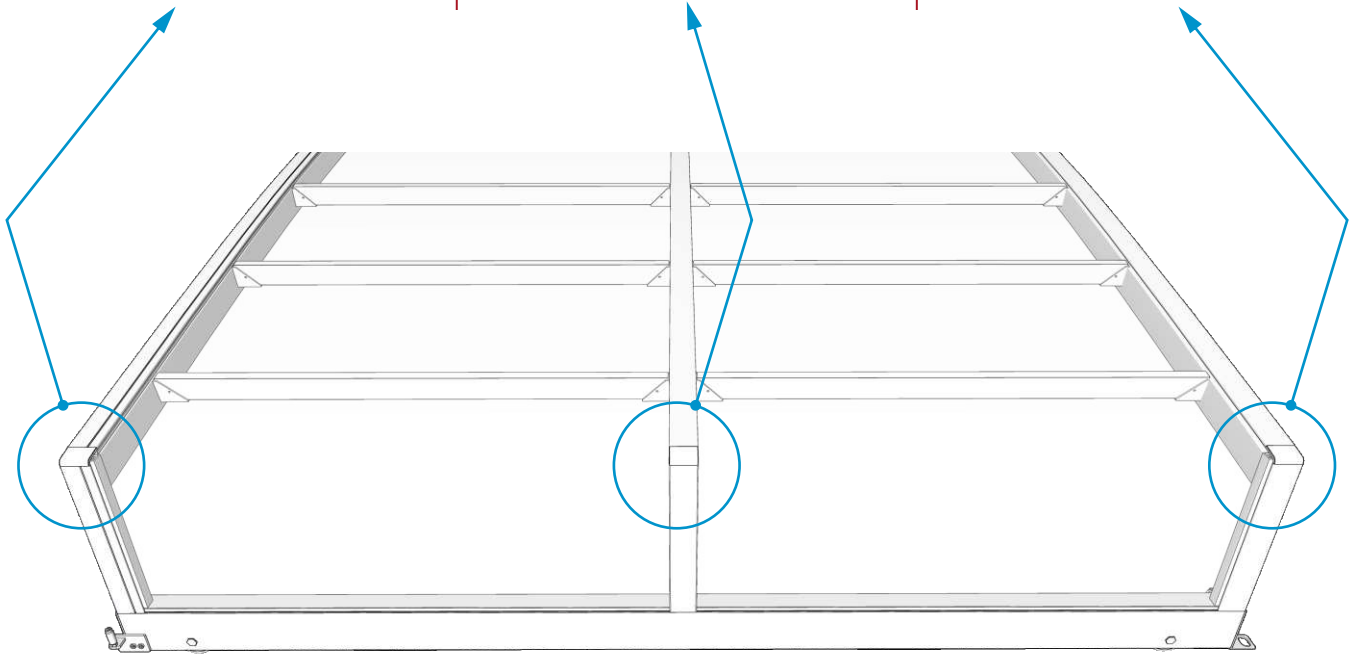
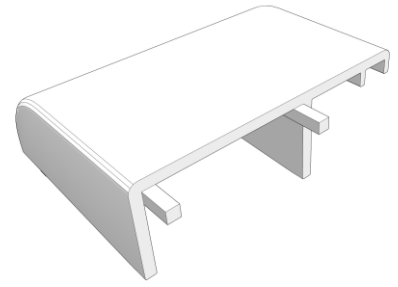
CORNER CAP - LEFT



CORNER CAP - CENTRE

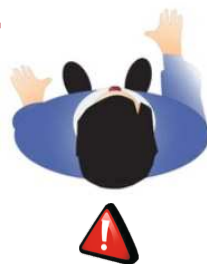


CORNER CAP - RIGHT



RIGHT SIDE OF ENCLOSURE

SIDE - RUBBER WHEELS



LOOK AT THE SIDE OF EACH SEGMENT

1.

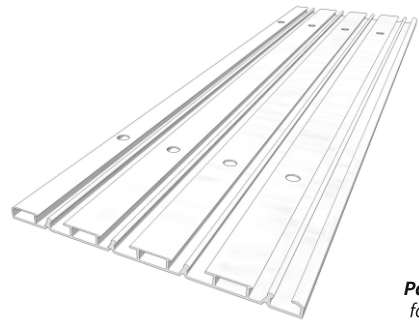


Nr.01.076

*Part no. 11.448
for connecting
of this extra rail*

Extra rail compose
(5th-track AZURE - elox)

2.

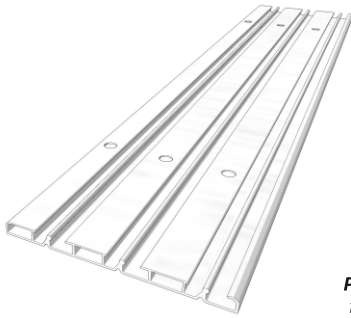


Nr.01.087

*Part no. 11.091
for connecting
of this extra rail*

Extra rail monolithic
(4th-track AZURE - elox)

3.

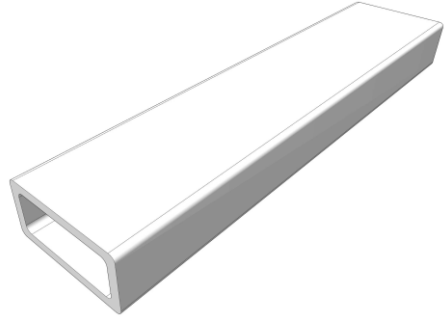


Nr.01.088

*Part no. 11.448
for connecting
of this extra rail*

Extra rail monolithic
(3th-track AZURE - elox)

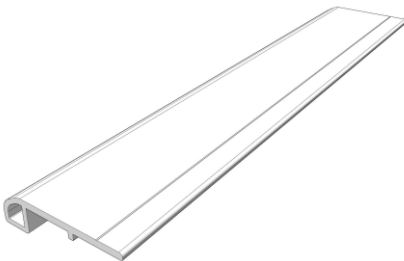
4.



Nr.11.091

Connection for rail
(use for 4th-track AZURE only)

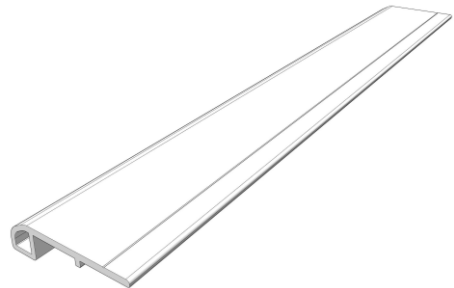
5.



Nr.11.203

End of rail 198mm
(3th-track AZURE - elox)

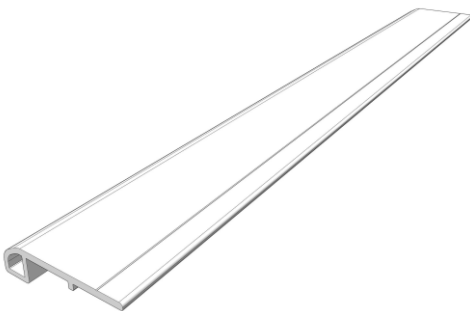
6.



Nr.11.204

End of rail 268mm
(4th-track AZURE - elox)

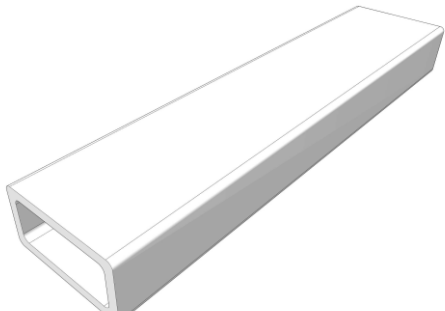
7.



Nr.11.205

End of rail 338mm
(5th-track AZURE - elox)

8.



Nr.11.448

Connection for rail
(use for others tracks except 4th-track AZURE)

9.



Nr.21.026

Blank on lateral door - LEFT
(anthracite)

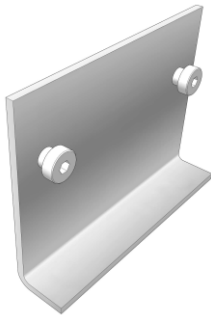
10.



Nr.21.027

Blank on lateral door - RIGHT
(anthracite)

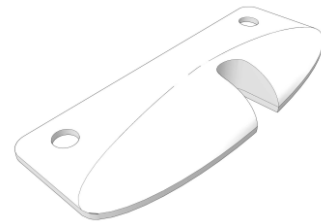
11.



Nr.21.340

Arrestment sheet 88° plus M5
(for unsunked & standard rail)

12.



Nr.21.440

Stopper
(arrestment of segment)

13.



Nr.21.523

Insert for wood
(face arrestment)

14.



Nr.21.524

Insert for wood
(side arrestment of segment)

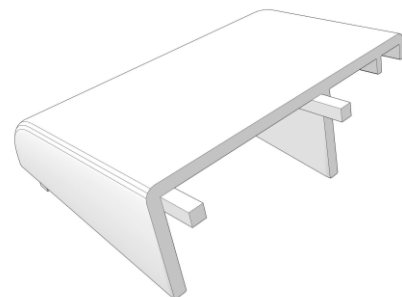
15.



Nr.21.555

Center cap 10°
(anthracite)

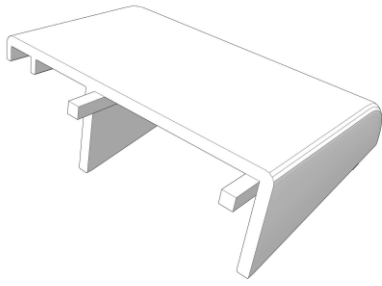
16.



Nr.21.556

Corner cap 10° - RIGHT
(anthracite)

17.



Nr.21.557

Corner cap 10° - LEFT
(anthracite)

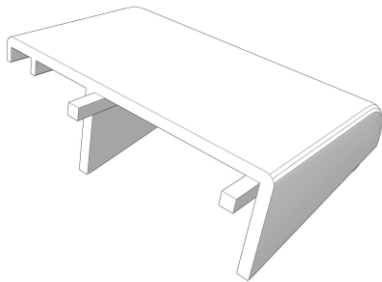
18.



Nr.21.558

Corner cap 3° - RIGHT
(anthracite)

19.



Nr.21.559

Corner cap 3° - LEFT
(anthracite)

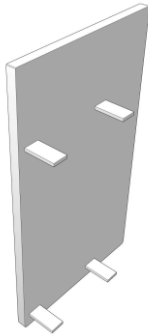
20.



Nr.21.560

Center cap 3°
(anthracite)

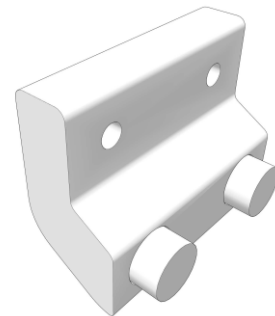
21.



Nr.21.580

End of travel PARADE - LEFT
(side of rubber wheels)

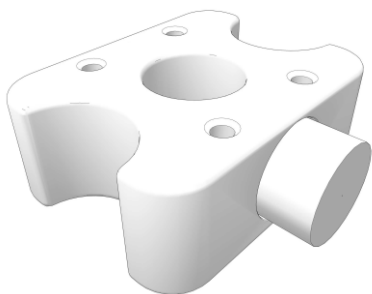
22.



Nr.21.586

Connection between segments
(inner stopper - side of wheels for rail)

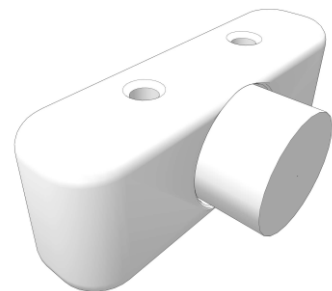
23.



Nr.21.587

Stop for bracket I
(stop part with two holes for fixing)

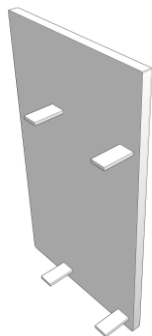
24.



Nr.21.588

Stop for bracket II
(stop part with four holes for fixing)

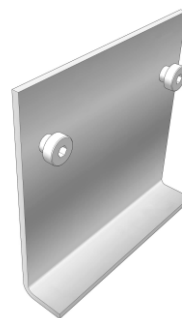
25.



Nr.21.591

End of travel PARADE - RIGHT
(side of rubber wheels)

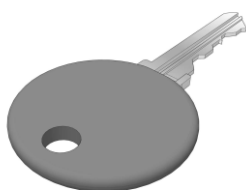
26.



Nr.21.711

Arrestment sheet 88° plus M5
(higher sheet for sunked rail)

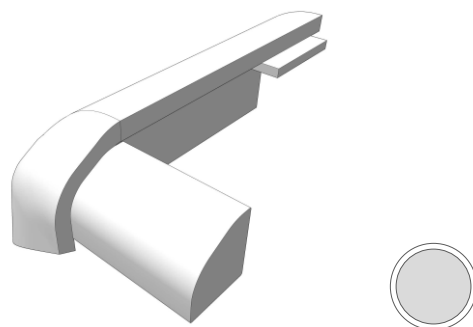
27.



Nr.21.958

Key for arrestment lock
(arrestment of segment or handle)

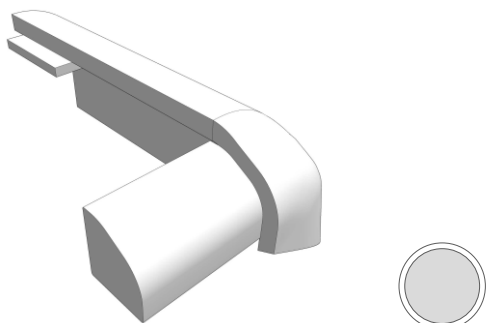
28.



Nr.31.021

Plastic cap for end of rail - LEFT
(silver)

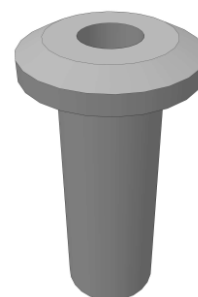
29.



Nr.31.024

Plastic cap for end of rail - RIGHT
(silver)

30.



Nr.31.047

Insert for pavement 8mm
(face arrestment)

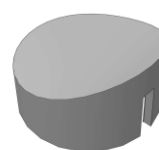
31.



Nr.31.073

Plastic cap 6mm
(for predrilling hole from company)

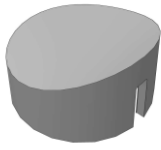
32.



Nr.31.093

Cap of radius handle without lock
(cover of fix screw)

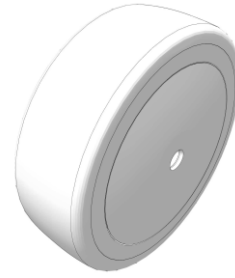
33.



Nr.31.097

Cap of radius handle with lock
(cover of fix screw)

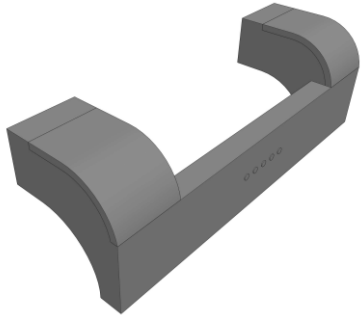
34.



Nr.31.109

Rubber travel wheel PARADE
(into travel profile on side of rubber wheels)

35.



Nr.31.355

Handle inner
(inner part for control of lateral door)

36.



Nr.31.506

Lens cap
(cover of predrilling hole for handle lock)

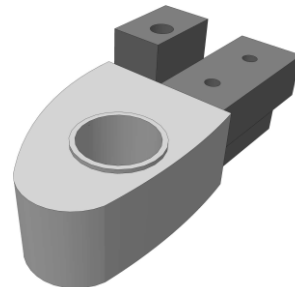
37.



Nr.31.520

Nut cover M6
(bracket - travel profile with rubber wheels)

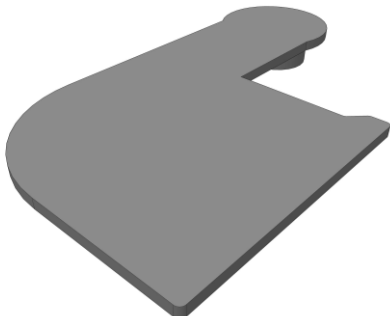
38.



Nr.31.525

Plastic sleeve of arrestment - RIGHT
(part on end of travel profile)

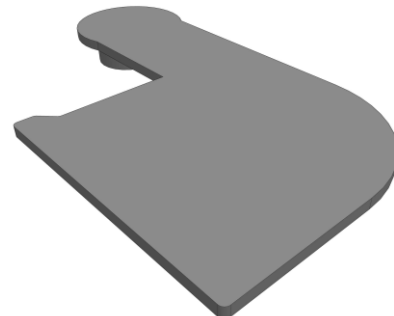
39.



Nr.31.526

Plug for monorail of lateral door - LEFT
(lateral door)

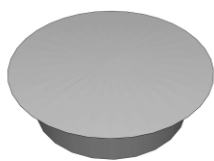
40.



Nr.31.527

Plug for monorail of lateral door - RIGHT
(lateral door)

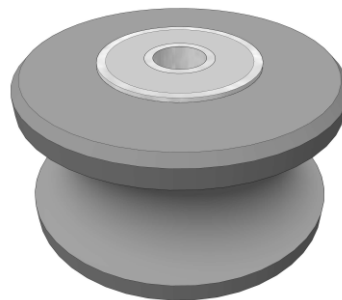
41.



Nr.31.532

Plastic cap for ground rail 20-15
(grey)

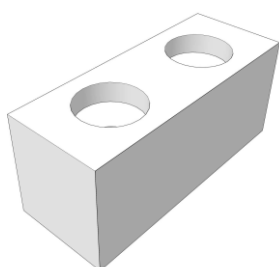
42.



Nr.31.554

Pulley Standard
(lateral door)

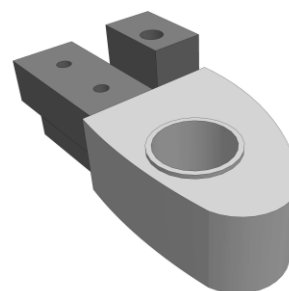
43.



Nr.31.555

Connection between segments - outer type
(outer stopper on side - wheels for rail)

44.



Nr.31.560

Plastic sleeve of arrestment - LEFT
(part on end of travel profile)

45.



Nr.31.566

Cover 13-16 / black
(cover with big top)

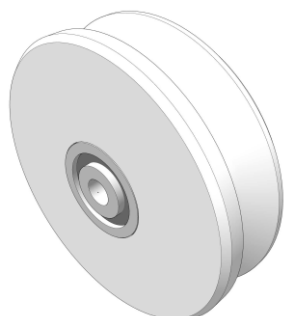
46.



Nr.31.567

Cover 13-11 / black
(cover with small top)

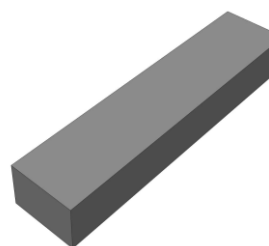
47.



Nr.31.902

Pulley Comfort 15
(moving part for travel profile)

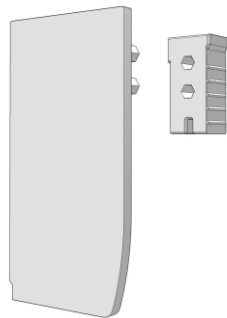
48.



Nr.31.924

Plastic backstop for travel
(safe part for stop of segment)

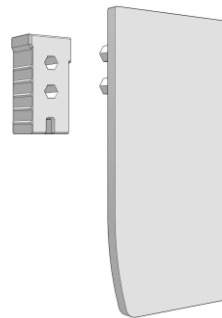
49.



Nr.31.930

Blank of travel Comfort 75 with core - LEFT
(standard cover of travel profile)

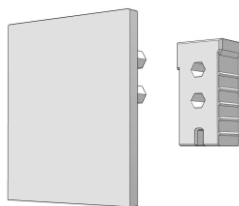
50.



Nr.31.931

Blank of travel Comfort 75 with core - RIGHT
(standard cover of travel profile)

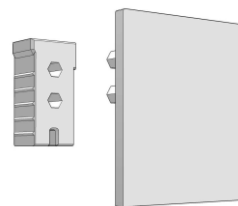
51.



Nr.31.932

Blank of travel Comfort 44 with core - LEFT
(adjusted cover of travel profile)

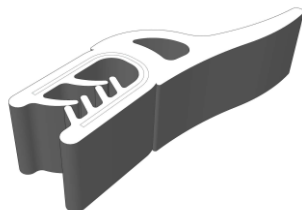
52.



Nr.31.933

Blank of travel Comfort 44 with core - RIGHT
(adjusted cover of travel profile)

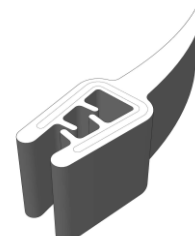
53.



Nr.41.027

Rubber seal - labyrinth 26mm
(overlapping of segments)

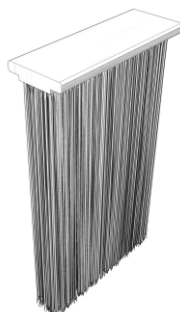
54.



Nr.41.040

Rubber seal - labyrinth 20mm
(overlapping of segments)

55.



Nr.41.715

Flexible brushes 25mm
(change for side of lateral door)

56.



Nr.41.720

Flexible brushes 15mm with foil
(into travel profile)

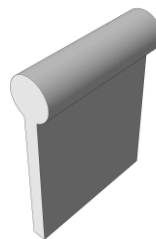
57.



Nr.41.729

Flexible brushes 15mm
(standard lateral door)

58.



Nr.41.763

Sealing flag 15mm
(overlapping of segments)

59.



Nr.41.784

Sealing flag 120mm
(sealing for doorsill of face)

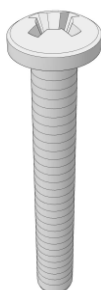
60.



Nr.51.040

Screw 4,2x16mm to sheet metal, pan head
(fixing of part Nr.21.586)

61.



Nr.51.117

Bolt M6x45mm, pan head
(fix of outer stopper Nr.31.555)

62.



Nr.51.801

Raw-plugs HPS- 1/80x100
(fixing of rail to concrete)

63.



Nr.51.802

Raw-plugs HPS- 1/80x80
(fixing of rail to concrete)

64.



Nr.51.803

Raw-plugs HPS- 1/80x60
(fixing of rail to concrete)

65.



Nr.51.804

Raw-plugs HPS- 1/80x40
(fixing of rail to concrete)

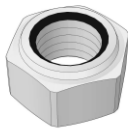
66.



Nr.51.815

Screw 6,3x32mm to wood - rail
(fixing of rail to wood)

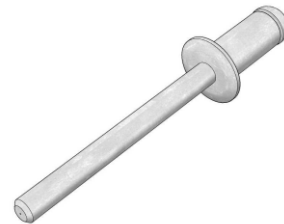
67.



Nr.51.817

Nut M6 self-locking
(bracket - travel profile with rubber wheels)

68.



Nr.51.827

Rivet 4x10 inox
(backstop, end of rail, connection)

69.



Nr.51.865

Screw 4,8x25mm to wood - insert to wood
(fixing of insert to wood)

70.



Nr.82.108

Plastic radius handle plastic without lock
(outer part for control of segment)

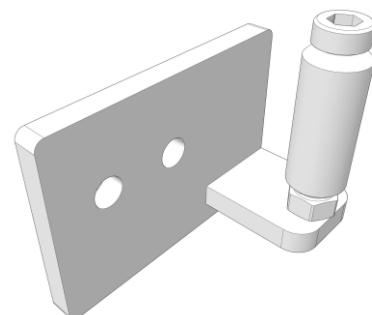
71.



Nr.82.109

Plastic radius handle plastic with lock
(outer part for control of lateral door)

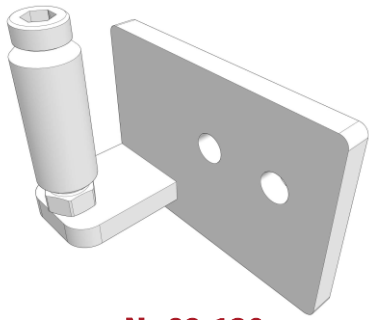
72.



Nr.82.129

Bracket - RIGHT
(outer part - travel profile with rubber wheels)

73.



Nr.82.130

Bracket - LEFT

(outer part - travel profile with rubber wheels)

74.

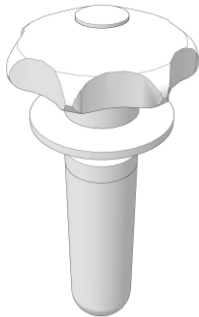


Nr.82.134

Roll between segments

(inner part - travel profile with rubber wheels)

75.



Nr.92.019

Side arrestment for segment

(pin & insert)

76.

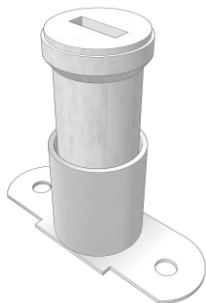


Nr.92.021

Arrestment lock for segment 10mm

(lock with long pin)

77.



Nr.92.039

Arrestment lock for segment 5mm

(lock with short pin)

78.

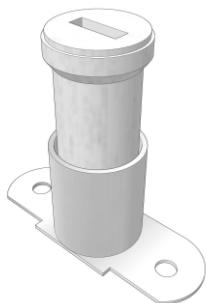


Nr.92.045

Face arrestment

(large/small face)

79.



Nr.92.090

Arrestment lock for segment 8mm

(lock with medial pin)

