

INSTALLATION INSTRUCTIONS



ROLL'TOP 100

Above-ground slatted cover



Compliant
NF P 90-308



Made
in France



Guarantee
3 years



100% childproof



Walter Pool
2 rue de l'industrie - 67,490 DETTWILLER
Tel. +33 3 90 29 51 00
info@walter-pool.com

Member of **T&A** Group

Table of contents

Standards	4
Foreword	4
Required tools	4
Receiving the automatic safety cover	4
Package contents	4
STEP 1 - Installing the Slatted cover	5
1.1 Cover assembly	5
1.2 Bases mounting	6
1.3 Cutting copings	8
STEP 2 - Cabling	9
2.1 Connecting the motor	9
2.2 Connecting the junction box	9
2.3 Electrolyser (Option)	10
2.4 Remote switch (Option)	11
2.4.1 Pairing the remote switch	12
2.5 Bluetooth control (see user manual for use of Bluetooth)	13
STEP 3 - Fitting the Cover	14
3.1 Fixing the slats to the axle	14
3.2 Slats assembly	14
3.3 Slat numbers	14
3.4 Special cases	16
3.5 Unhooking a slat	17
3.6 Cover diagram	17
STEP 4 - Adjusting the mechanical limit switches	18
2.1 Motor on the right	19
2.1 Motor on the left	20
STEP 5 - Installation of safety loops	21
5.1 Generalities	21
5.2 Locking	21
5.2.1 Classic locking	21
5.2.2 Stainless steel lock under coping (Option)	22
5.3 Number and position of safety hooks	22
STEP 6 - In case of a failure	24
User's Manual	25
Opening my pool	25
Closing my pool	25
Use the remote switch (Option)	25
Child protection	25
Opening the pool	25

Closing the pool	26
Using Bluetooth (Option)	26
Pairing a new phone	26
Using the Bluetooth application	27
Slatted cover maintenance	27
Impact of water quality on materials	28
Influence of water quality on plastic parts, especially slats:	28
Wintering	29
Maintenance	29
Safety	29
Guarantee conditions	30
Guarantee periods	30
Guarantee exclusions	31
Information on the cover	31
Troubleshooting	31

Standards

To clarify:

- The owner or user is responsible for the use and safety of their swimming pool.
- The owner or user must be vigilant, cautious and aware of the risks.
- Never leave a child unattended.
- Follow the instructions in this technical installation documentation.
- Make absolutely sure that the cover is closed and locked after any use of the pool.
- The installer must comply with the technical installation documentation.
- The pool must never have a side opening of more than 70 mm.
- The straps (anti-lift buckles) on the widths of the cover must be securely locked to prevent a child getting underneath.
- The cover complies with standard NFP 90-308.
- The key must be held in place when closing the cover and, above all, must be removed when the cover is closed.

READ CAREFULLY AND KEEP FOR FUTURE REFERENCE

Foreword



2 people required for assembly



Duration of the assembly: 4 hours

Required tools



Tape



Percussion drill



10 mm spanner



Pencil



Spirit level



Allen keys or 4/5" bits



Cutter



Screwdriver



Drill bits dia. 8/10

Receiving the automatic safety cover

The company WALTER cannot be held responsible for any loss or damage to equipment transported by the carrier.

It is specified that the goods travel at the recipient's risk.

In the case of missing or defective parts, it is important:

- Note any reservations and observations on the transport note.
- Send a registered letter with acknowledgement of receipt to the person responsible for transport within 2 days of delivery, giving precise details of the problems found.
- Send a copy of this letter to WALTER POOL for information purposes.
- The quality of the original packaging must be checked in the presence of the delivery person.
- The contents of the crate must be checked on delivery.

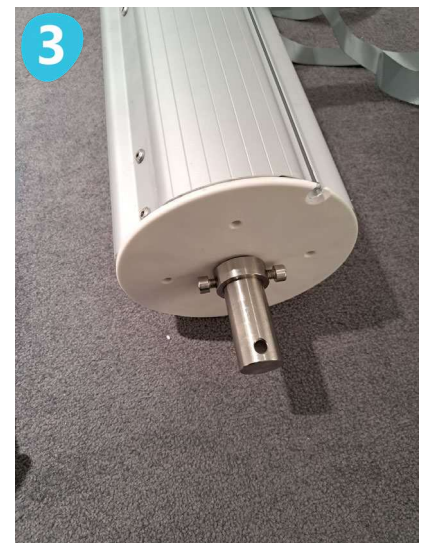
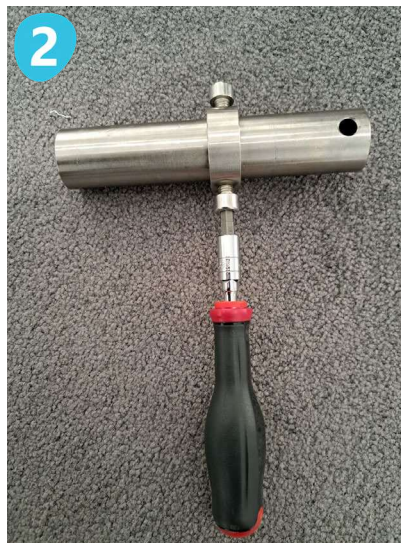
Package contents

1x Motor side foot	3x Pull strap	2x key
1x non-motor side foot	6x safety straps	1x Drilled axle
2x lid	6x brackets (optional)	1x bag of screws
2x mounting plate	Slats	1x Installation & operating instructions
1x Roller shaft with motor	1x junction box	

STEP 1 - Installing the cover

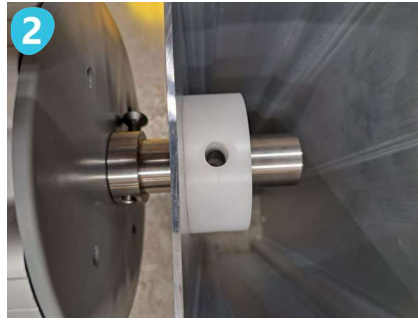
1.1 Cover assembly

First, loosely fit the M6x25 screws with washers and nuts into the 4 drill holes in the bracket.



1. Insert the ring on the axle
2. Secure the ring in the middle of the spindle using the two screws to prevent it slipping into the roller axle.

3. Insert the axle with its ring into the cover axle at least up to the marking (the pierced side facing the outside of the cover shaft).

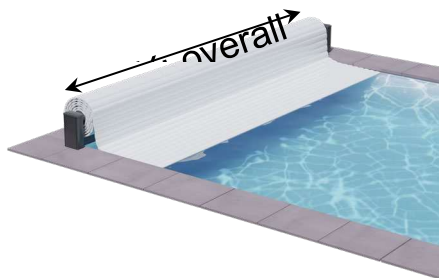


1. Insert the axle into the bracket (opposite side to the motor)
2. Align the holes
3. Insert the longer locking screw

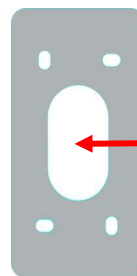


Repeat the operation on the motor side, passing the motor cable through the grommet before locking the shaft with the shorter screw.

1.2 Bases mounting



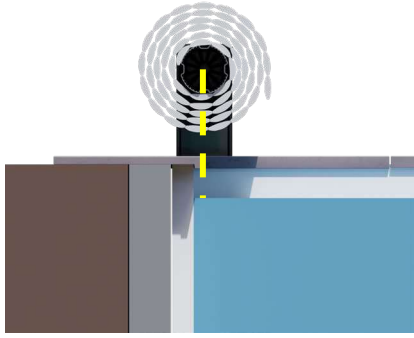
$X = \text{basin width} + 370 \text{ mm}$



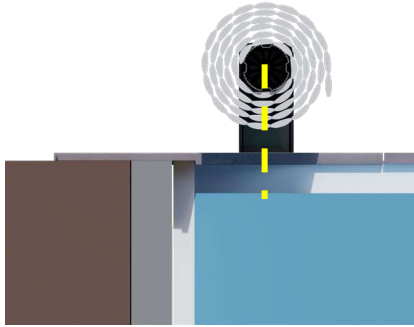
Cable routing

Place the slatted cover in its final position as shown:

Roller not compatible with pools with a radius >250mm



The centre of the cover shaft must be plumb with the pool coping.



If the copings are rounded, the centre of the cover shaft must be plumb with the end of the rounded coping.

Centre the slatted cover across the width, with 7.5 cm between the inside of the pool and the inside of the foot on each side.

The cover must be perfectly **perpendicular** to the pool and **level**.

You can adjust the foot spacing on the non-motor side by +/- a few centimetres if necessary.

Note the position of the feet and remove the slatted cover.

Place the fixing plates in the marks, check that they are square and drill the 4 fixing holes in each base.

Fix the plates to the floor using the fixings supplied, on a suitable support.



You can now place your Slatted cover on the base plates and tighten the screws you previously placed in the brackets, while checking the level of the base.

Adjust the ring on the side opposite the motor, then tighten the two M6x50 screws.

It is not necessary to close the lid at this stage.

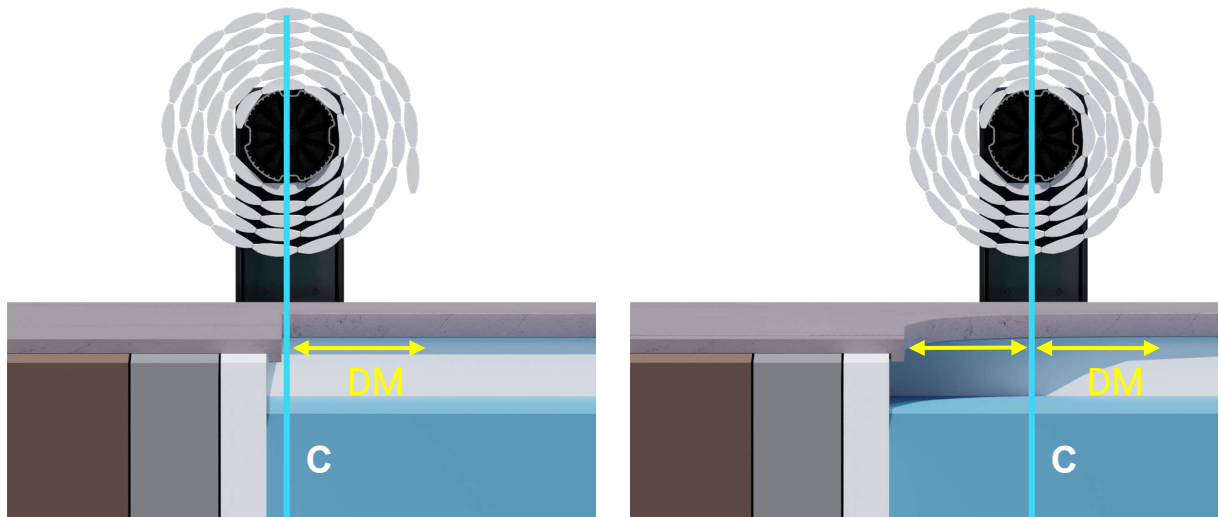
Reinstall the key switch if you have unscrewed it.

Clip on the rear part of the switch (insert the bottom then clip the top by tilting it).



1.3 Cutting copings

It will certainly be necessary to cut the coping



For right-angled copings

If rounded corner

C: Plumb roll-out axis DM: Coping cut-out = (diameter/ 2) + 30mm

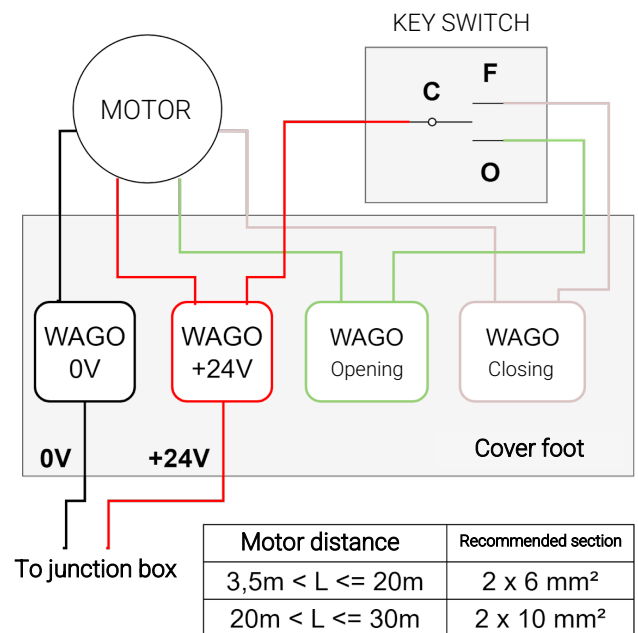
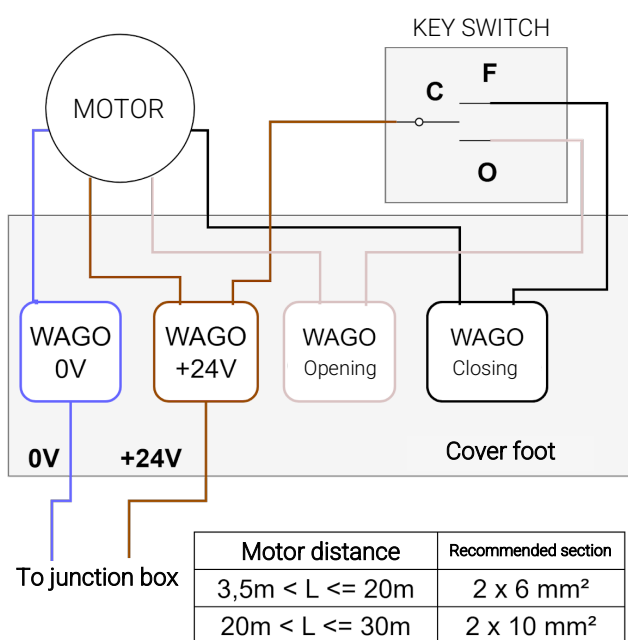
If the coping has a rounded corner, the coping will also need to be cut towards the rounding.

Basin length	Rolling diameter with slats	Coping cut-out
5 m	38 cm	25 cm
6 m	41 cm	26.5 cm
7 m	43 cm	27.5 cm
8 m	45 cm	28.5 cm
9 m	47 cm	29.5 cm
10 m	49 cm	30.5 cm
11 m	51 cm	31.5 cm
12 m	53 cm	32.5 cm
13 m	55 cm	33.5 cm

STEP 2 - Cabling

2.1 Connecting the motor

Connect the cables to the quick connectors as shown in the diagram below:



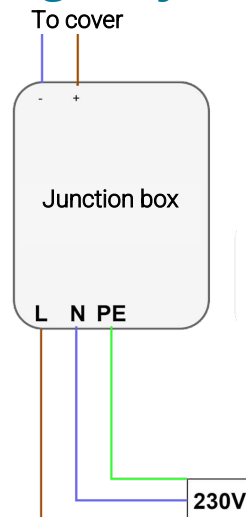
C80

Mechanical limit switch

C120

Mechanical limit switch

2.2 Connecting the junction box



Refer to standard NF C15-100 section 702 for the location of the junction box.

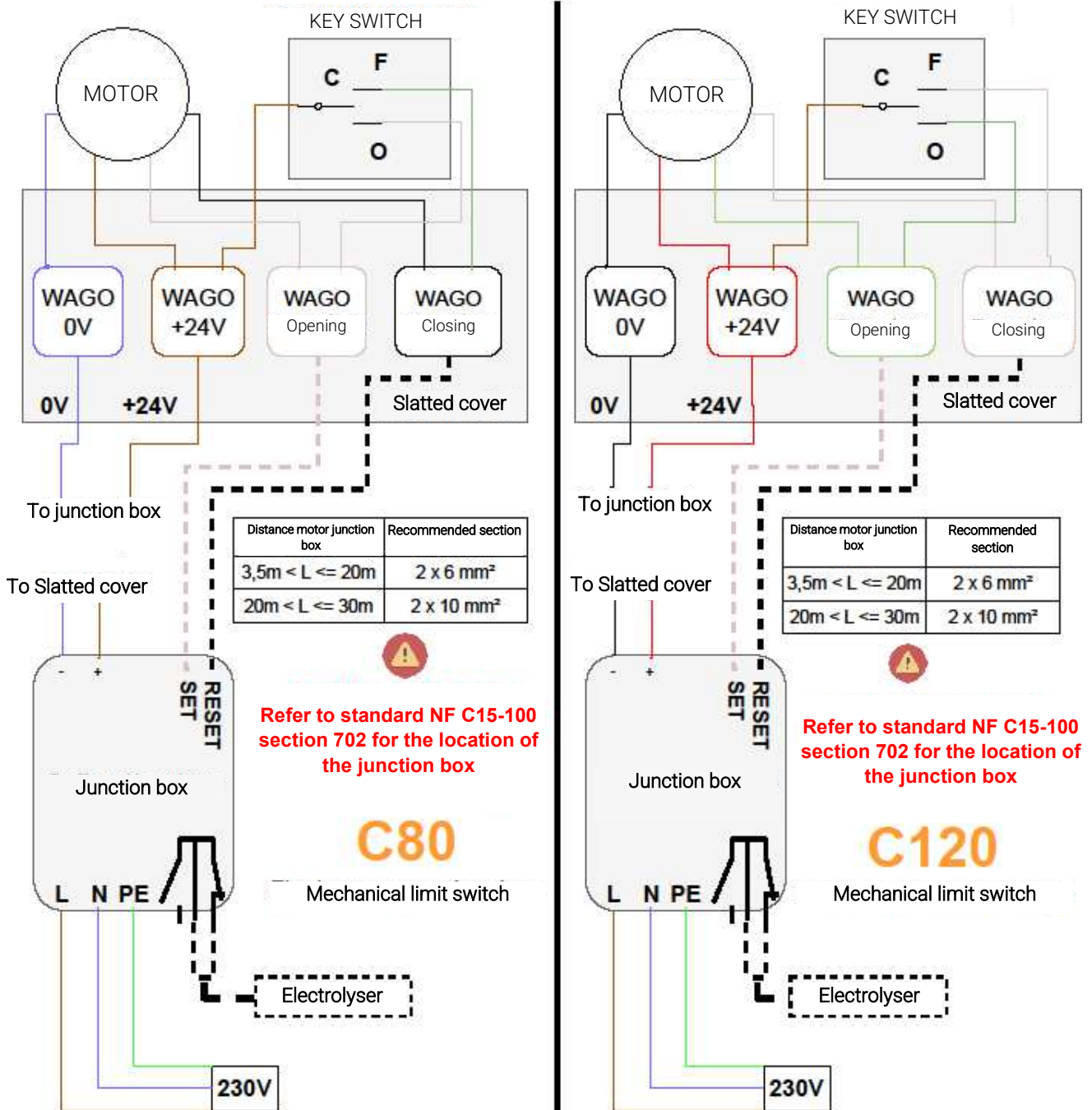


CAUTION! Always disconnect the power supply when wiring the junction box or motor, as this may cause irreversible damage.

2.3 Electrolyser (Option)

If you are using an electrolyser, you can use the dry contact to find out the status of your pool (open or closed).

To do this, you need to send two additional wires from the opening and closing quick connectors to the junction box, as shown in the following diagrams:



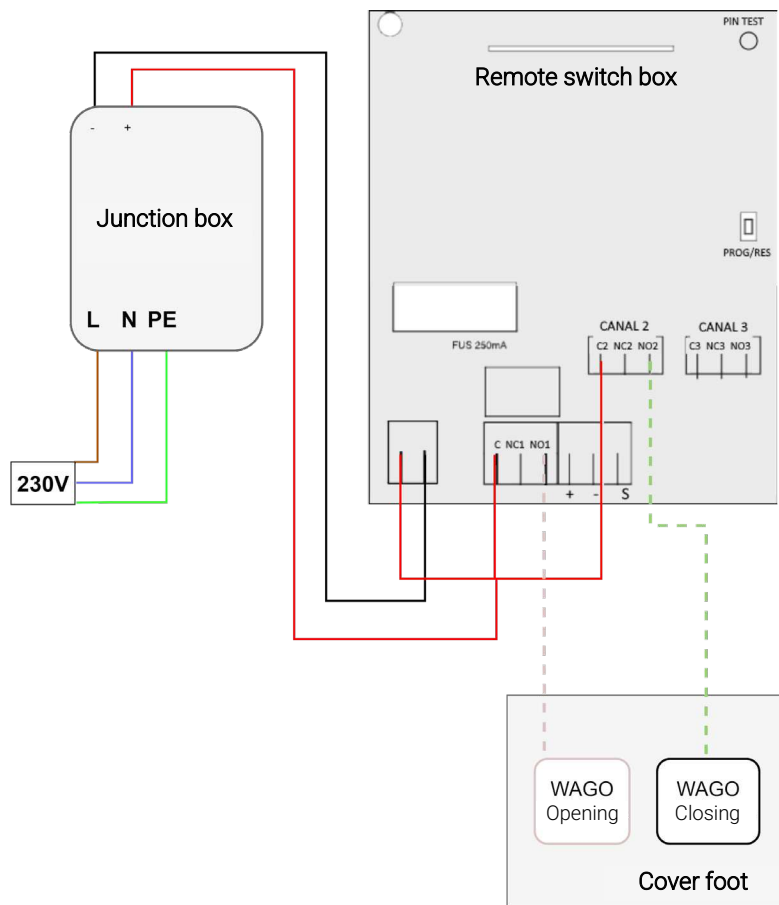
2.4 Remote switch (Option)

If the remote switch is used, two additional wires must be routed to the junction box from the opening and closing quick connectors, as shown in the following diagram:

Use a 2-wire cable between the + and - terminals of the junction box and the + and - terminals of the remote switch box.

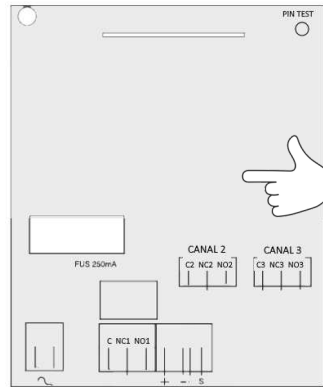
Use the two wires coming from the foot of the cover for the NO1 and NO2 contacts of the remote switch box (open and close).

Use a wire of the same cross-section to make two bridges between points +, C1 and C2.



2.4.1 Pairing the remote switch

1



Hold for 2s

2



Press the "PROG/RES" button for at least 2 seconds until the sound signal is heard.

Press the switch button once

3



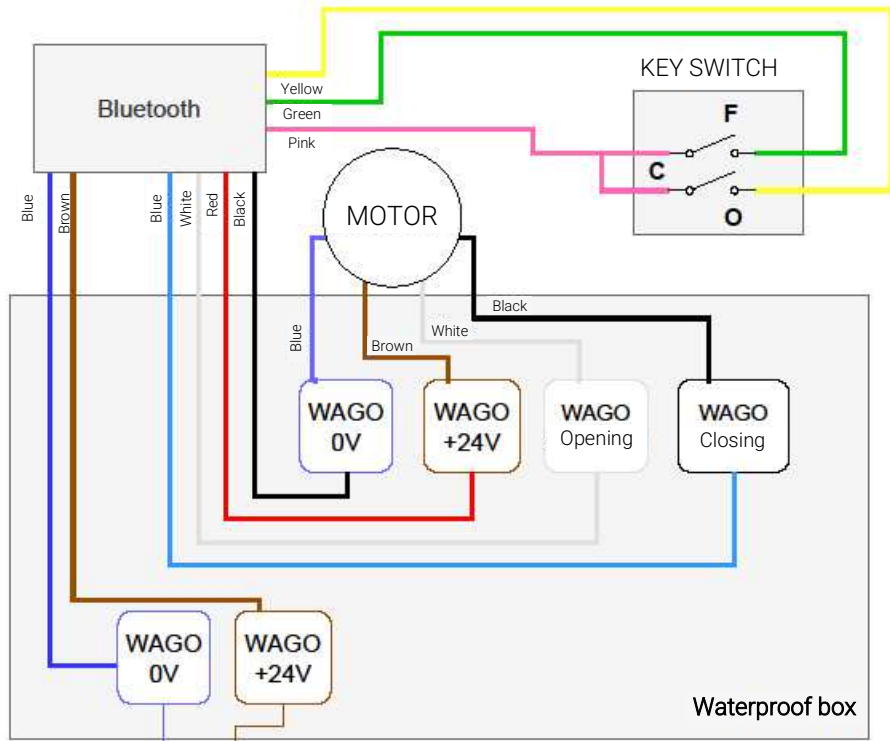
Press the "PROG/RES" button for at least 2 seconds until the sound signal is heard.

4



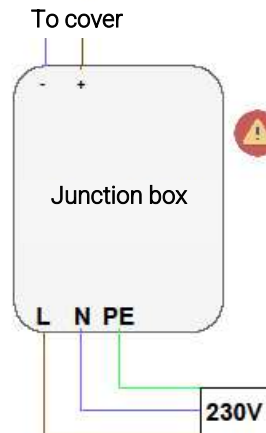
A sound signal confirms that the button has been pressed, wait 10 seconds

2.5 Bluetooth control (see user manual for use of Bluetooth)



To junction box

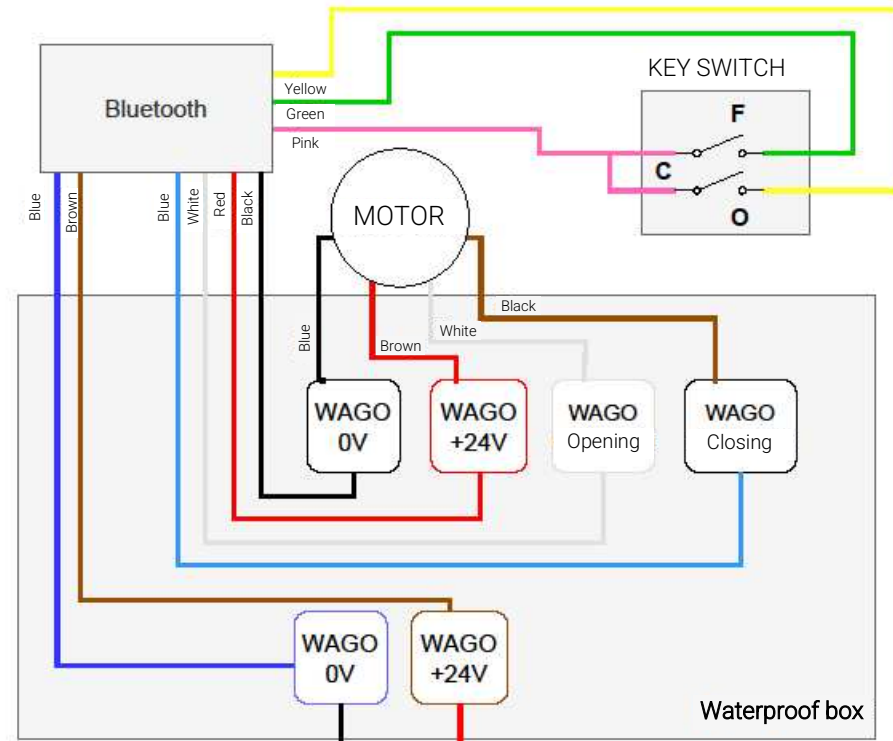
Distance motor junction box	Recommended section
$3,5m < L \leq 20m$	$2 \times 6 \text{ mm}^2$
$20m < L \leq 30m$	$2 \times 10 \text{ mm}^2$



Refer to standard NF C15-100 section 702 for the location of the junction box

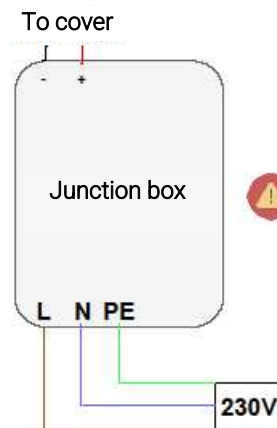
C80

Mechanical limit switch



To junction box

Distance motor junction box	Recommended section
$3,5m < L \leq 20m$	$2 \times 6 \text{ mm}^2$
$20m < L \leq 30m$	$2 \times 10 \text{ mm}^2$



Refer to standard NF C15-100 section 702 for the location of the junction box

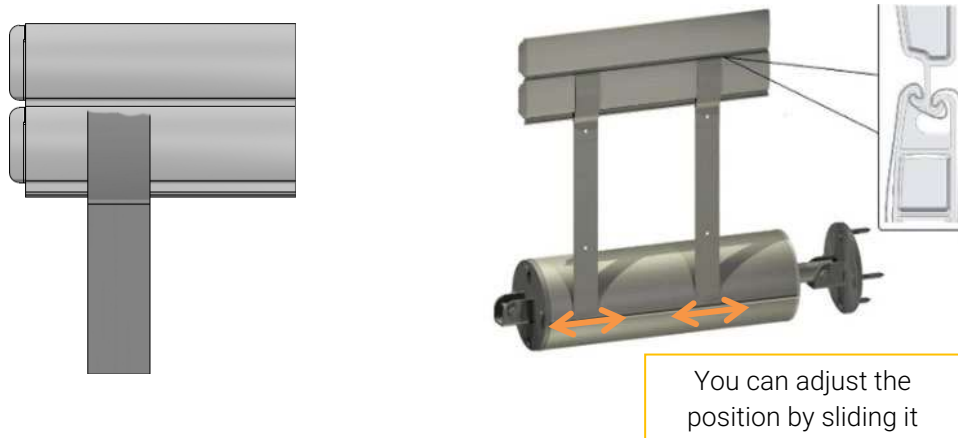
C120

Mechanical limit switch

STEP 3 - Fitting the Cover

3.1 Fixing the slats to the axle

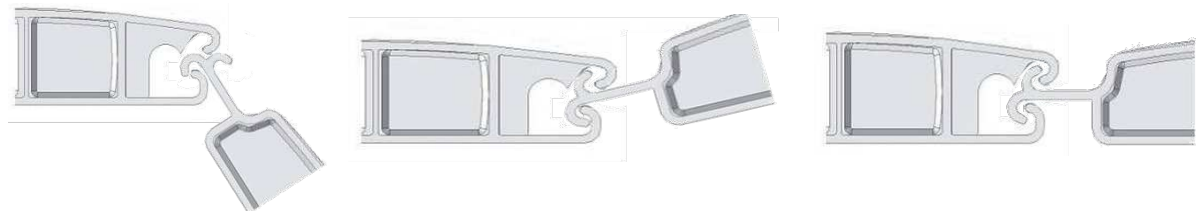
Take a single slat and slide it through the straps.
Balance the position of the straps on the slat towards their attachment point.
When aligned and balanced, connect this slat to one or more other slat.



The flexibility of the straps means that they will fit into the slat connection without cutting into it. The straps are just wedged between the two slat without cutting them.

3.2 Slats assembly

To assemble 3-board panels, simply slide the tab into the slot at one end, then, using your wrists, tilt the boards up and down until the entire length is assembled.



3.3 Slat numbers

The number of slats depends on the length of your pool.

We always supply extra slats to cover any damage that may occur during transport or assembly.

The table below shows the recommended number of slats depending on the length of your pool.

Minimum pool length (in cm)	Maximum pool length (in cm)	Slat numbers
382	388.6	58
388.7	395.3	59
395.4	402	60
402.1	408.7	61
408.8	415.4	62
415.5	422.1	63
422.2	428.8	64
428.9	435.5	65
435.6	442.2	66
442.3	448.9	67
449	455.6	68
455.7	462.3	69
462.4	469	70
469.1	475.7	71
475.8	482.4	72
482.5	489.1	73
489.2	495.8	74
495.9	502.5	75
502.6	509.2	76
509.3	515.9	77
516	522.6	78
522.7	529.3	79
529.4	536	80
536.1	542.7	81
542.8	549.4	82
549.5	556.1	83
556.2	562.8	84
562.9	569.5	85
569.6	576.2	86
576.3	582.9	87
583	589.6	88
589.7	596.3	89
596.4	603	90
603.1	609.7	91
609.8	616.4	92
616.5	623.1	93
623.2	629.8	94
629.9	636.5	95
636.6	643.2	96
643.3	649.9	97
650	656.6	98
656.7	663.3	99
663.4	670	100
670.1	676.7	101
676.8	683.4	102
683.5	690.1	103
690.2	696.8	104

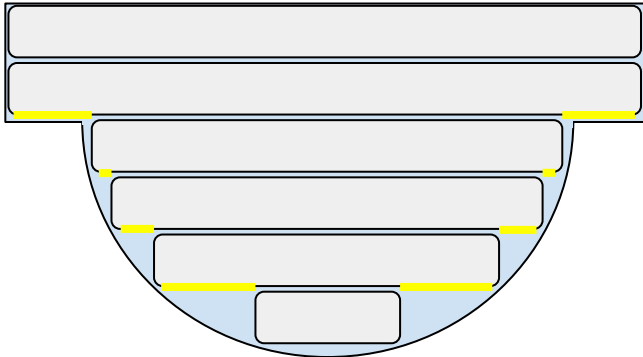
Minimum pool length (in cm)	Maximum pool length (in cm)	Slat numbers
696.9	703.5	105
703.6	710.2	106
710.3	716.9	107
717	723.6	108
723.7	730.3	109
730.4	737	110
737.1	743.7	111
743.8	750.4	112
750.5	757.1	113
757.2	763.8	114
763.9	770.5	115
770.6	777.2	116
777.3	783.9	117
784	790.6	118
790.7	797.3	119
797.4	804	120
804.1	810.7	121
810.8	817.4	122
817.5	824.1	123
824.2	830.8	124
830.9	837.5	125
837.6	844.2	126
844.3	850.9	127
851	857.6	128
857.7	864.3	129
864.4	871	130
871.1	877.7	131
877.8	884.4	132
884.5	891.1	133
891.2	897.8	134
897.9	904.5	135
904.6	911.2	136
911.3	917.9	137
918	924.6	138
924.7	931.3	139
931.4	938	140
938.1	944.7	141
944.8	951.4	142
951.5	958.1	143
958.2	964.8	144
964.9	971.5	145
971.6	978.2	146
978.3	984.9	147
985	991.6	148
991.7	998.3	149
998.4	1,005	150

Minimum pool length (in cm)	Maximum pool length (in cm)	Slat numbers
1,005.1	1,011.7	151
1,011.8	1,018.4	152
1,018.5	1,025.1	153
1,025.2	1,031.8	154
1,031.9	1,038.5	155
1,038.6	1,045.2	156
1,045.3	1,051.9	157
1,052	1,058.6	158
1,058.7	1,065.3	159
1,065.4	1,072	160
1,072.1	1,078.7	161
1,078.8	1,085.4	162
1,085.5	1,092.1	163
1,092.2	1,098.8	164
1,098.9	1,105.5	165
1,105.6	1,112.2	166
1,112.3	1,118.9	167
1,119	1,125.6	168
1,125.7	1,132.3	169
1,132.4	1,139	170
1,139.1	1,145.7	171
1,145.8	1,152.4	172
1,152.5	1,159.1	173
1,159.2	1,165.8	174
1,165.9	1,172.5	175
1,172.6	1,179.2	176
1,179.3	1,185.9	177
1,186	1,192.6	178
1,192.7	1,199.3	179
1,199.4	1,206	180
1,206.1	1,212.7	181
1,212.8	1,219.4	182
1,219.5	1,226.1	183
1,226.2	1,232.8	184
1,232.9	1,239.5	185
1,239.6	1,246.2	186
1,246.3	1,252.9	187
1,253	1,259.6	188
1,259.7	1,266.3	189
1,266.4	1,273	190
1,273.1	1,279.7	191
1,279.8	1,286.4	192
1,286.5	1,293.1	193
1,293.2	1,299.8	194
1,299.9	1,306.5	195

3.4 Special cases

Stairs

If there is a staircase, it is necessary to lock the slats with the locking profile. Cut a piece of locking profile to the required length and insert it into the slot of the previous board.



Guiding

The slats must follow a good direction without blocking when rolling up or unrolling.

Certain options are supplied with the cover to facilitate unrolling:

- Ski for tilting the first slat
- Cover deflector (angle to deviate the slats, in the case of a staircase, skimmer, etc.).

Cover deflector

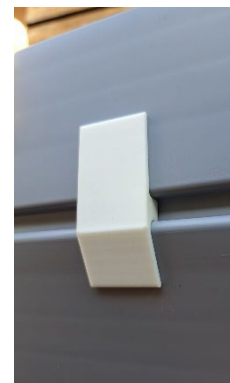
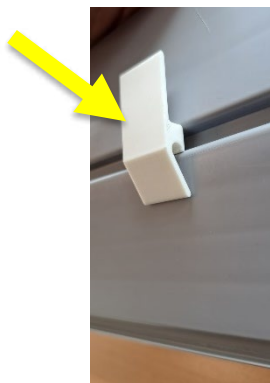
If there is a skimmer or staircase, an angle may be required to deviate the deck. This is either factory-fitted if specified on the order or can be ordered as an accessory.

Positioning the skis

The skis can be placed on the first slats of the curtain to guide the Cover to the correct side when it starts to unroll.

Two skis should be clipped into the slot in the second slat of the Cover.

In the case of Roman steps, one ski is clipped into the slot of the second slat and two others into the slot of the third slat.



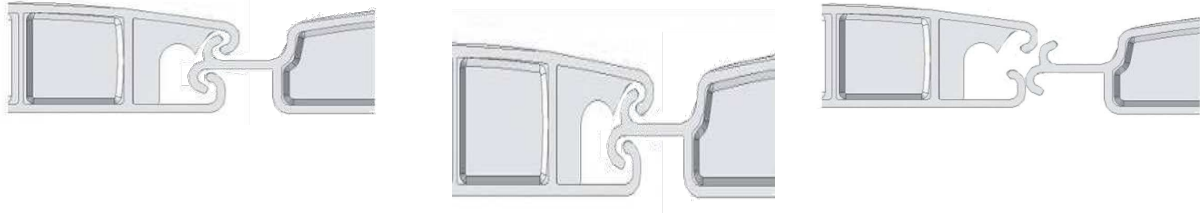
3.5 Unhooking a slat

To unhook a slat, compress the two slats together, tilt the right-hand slat downwards to release the upper part of the tab.

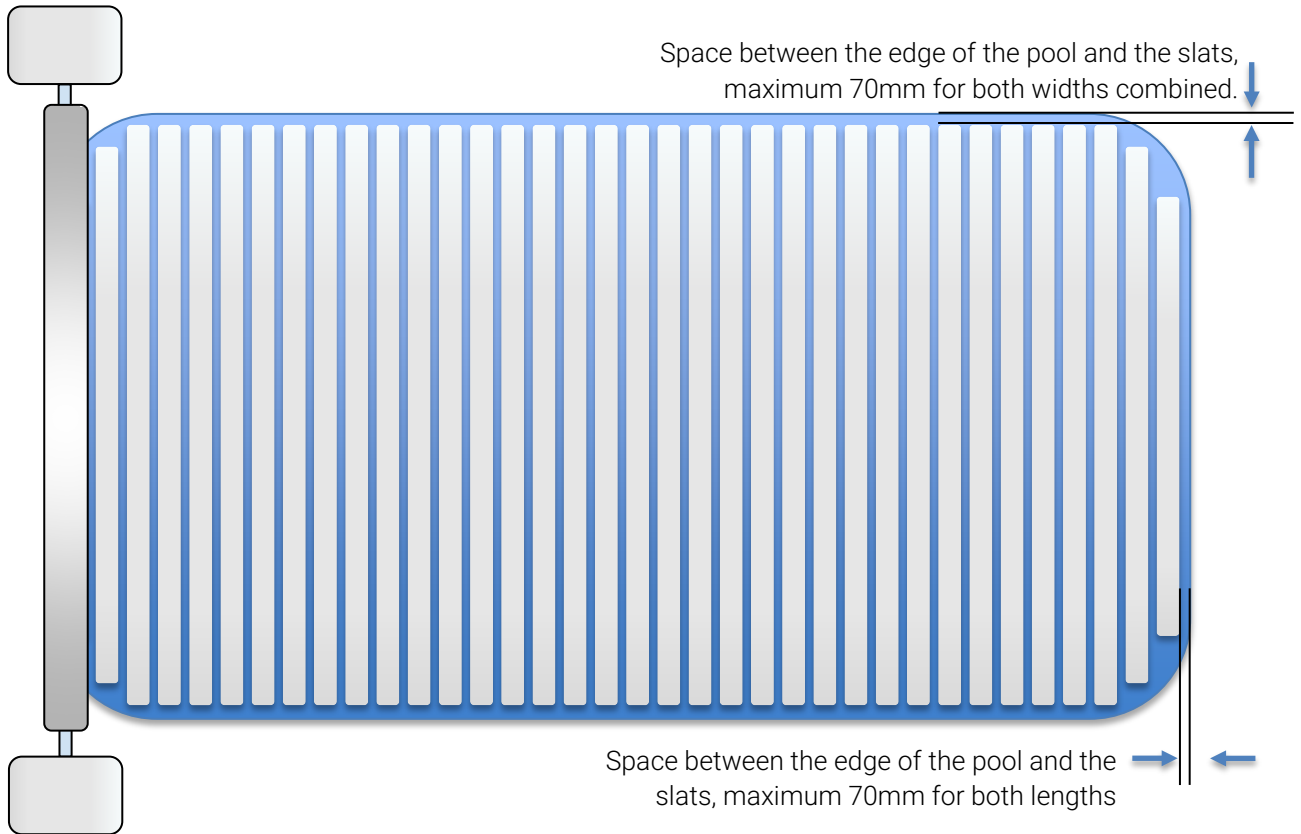
Then pull the right-hand board upwards to release the lower part of the tab.

Finally, move the slats up and down to release the slat.

Caution: using a flat object to lift the tab may be attractive, but there is a high risk of damaging the slat.



3.6 Cover diagram



STEP 4 - Adjusting the mechanical limit switches

Shift the rubber stopper by sliding it along the axle



Use the adjustment tool supplied in the package:



CAUTION! Do not use an electrical screwdriver or drill to adjust!



Operate the key switch until the pool is closed.

- Adjust the stroke by screwing or unscrewing the adjusting screw as shown below
- The last slat must be on the water and the slat pull straps must be slack.

Operate the key switch until the pool is opened.

- Adjust the stroke by screwing or unscrewing the adjusting screw

2.1 Motor on the right



C80	
<p>Adjusting the Slatted cover open position</p> <p>Screw to reduce the stroke</p> <p>Unscrew to increase the stroke</p>	<p>Adjusting the Slatted cover closed position</p> <p>Screw to increase the stroke</p> <p></p>
C120	
<p>Adjusting the Slatted cover open position</p> <p>Screw to increase the stroke</p> <p>Unscrew in to reduce the stroke</p>	<p>Adjusting the Slatted cover open position</p> <p>Screw to reduce the stroke</p> <p>Unscrew to increase the stroke</p>

2.1 Motor on the left



C80	
<p>Adjusting the Slatted cover closed position</p> <p>Screw to reduce the stroke</p>	<p>Adjusting the Slatted cover open position</p> <p>Screw to increase the stroke</p> <p>Unscrew in to reduce the stroke</p>
C120	
<p>Adjusting the Slatted cover closed position</p> <p>Screw to increase the stroke</p>	<p>Adjusting the Slatted cover closed position</p> <p>Screw to reduce the stroke</p>

STEP 5 - Installation of safety loops

To increase the safety of your cover, fit safety hooks at the end of the Cover. These hooks are compulsory in France to comply with standard NF P 90-308.

When the cover closes the pool, lock the Cover. LOCKING = SAFETY

The number and position of fixings are determined by the standards.

The fixing support must be strong enough to withstand the tensile forces.

CAUTION!

In order for the cover to comply with standard NF P90-308, it is compulsory for the slats to be attached to the end of the pool. Before opening the cover, the owner must unlock the fasteners and after closing the cover, the owner must lock the fasteners.

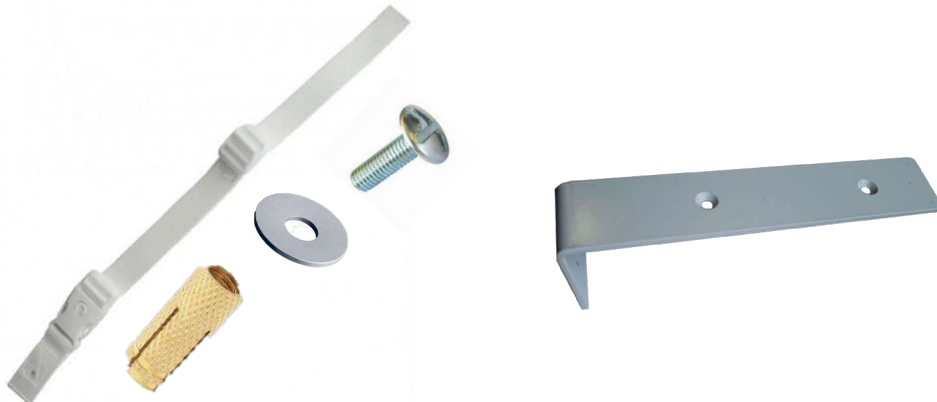
5.1 Generalities

The user must lock the cover after closing the pool.

The user must unlock cover before opening the pool.

5.2 Locking

5.2.1 Classic locking



Determine the position of the safety anchors according to the table below (5.3)

- **If you do not wish to use an under coping bracket**

Mark the position of the holes in order to drill the fixing hole for the safety strap

Drill down to the concrete belt and then inject silicone into the holes before inserting the plugs.

Fix the strap directly through the hole with the screws and plugs supplied.

- **If using under- coping brackets**

Mark the position of the holes in order to drill the fixing holes for the safety plate.

Drill and inject silicone into the holes before inserting the plugs.

Fix the plate using the stainless-steel screws supplied.

Fit the straps with buckles to the first slat, at the anchor points.

Test for correct assembly before delivery to the customer.

5.2.2 Stainless steel lock under coping (Option)



Determine the position of the safety anchors according to the table below (5.3)

- **If you do not wish to use an under coping bracket**

Mark the position of the holes in order to drill the fixing holes for the safety clamp.

Drill down to the concrete belt and then inject silicone into the holes before inserting the plugs.

Fix the strap directly through the hole with the screws and plugs supplied.

- **If using under- coping brackets**

Mark the position of the holes in order to drill the fixing holes for the safety plate.

Drill and inject silicone before inserting the plugs.

Fix the plate using the stainless-steel screws supplied.

Fit the straps with buckles to the first slat, at the anchor points.

Test for correct assembly before delivery to the customer

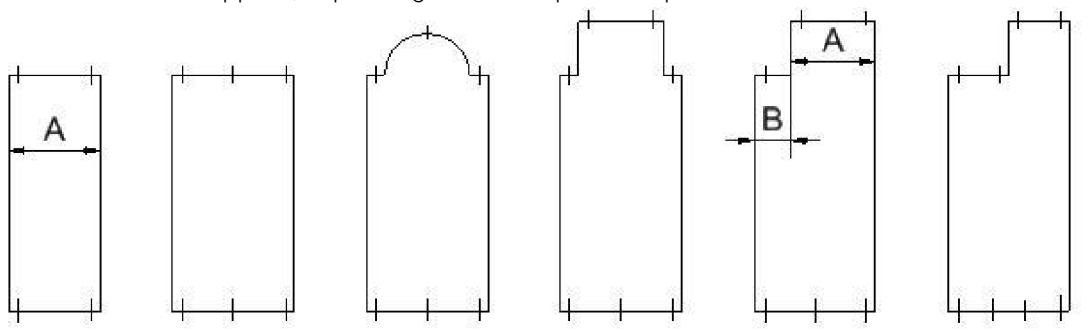
5.3 Number and position of safety hooks

The user must lock all anchors after closing the pool.

The user must unlock all anchors before opening the pool.

The position of the locks is dictated by the safety standard.

Here are the rules to be applied, depending on the shape of the pool



Dimensions (m)	A (m)		B (m)		
	<3	3 - 5	< 1	< 2	≥ 2
Hooks:	2	3	1 in the centre	1 at 500mm from the wall	Idem A

Location:

- The end fixings are positioned 50cm from the edge.
- A maximum of 2m is allowed between two locks.
- The centre of the anchor must be 5 cm from the water level.

The safety hooks must also be positioned on the rolling side in the following cases:

Above ground: bare covering without bench

Above ground: Mobil bench

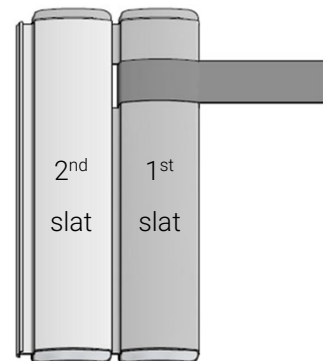
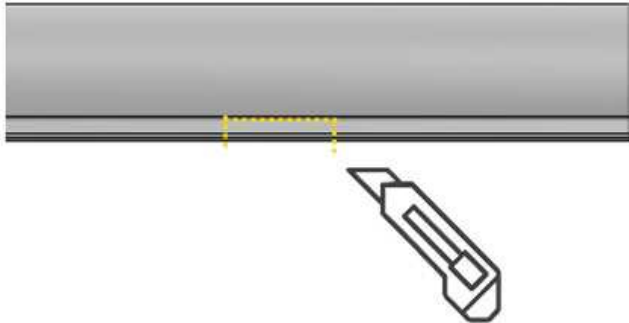
Roman steps with radius < 1.5m

- A fastener must be positioned at the end of the Roman steps.

Roman steps with radius ≥ 1.5m


- Place 3 hooks in the roman steps.

It is necessary to cut the tabs of the first slat at the positions of the safety straps. You can do this with a cutter.



Adjust the length of the safety straps after installation.

STEP 6 - In case of a failure

Problem	Possible cause	To correct
Motor does not run	Incorrect jumper position in the junction box	Place the jumpers in the junction box as indicated on the box cover 
My slats no longer float	One or more slats are no longer watertight	Replace the slats concerned
My limit switches change with each use	The motor is faulty	Replace the motor if the previous solution was not successful
My key switch is reversed	The wiring is reversed	Simply reverse the blue and white wires coming out of the motor
My motor doesn't work	Test the motor with a 12v battery	Connect the red and black wires to the positive and negative terminals of the screwdriver battery, for example, then connect the blue wire to the + terminal to turn in one direction and the white wire to turn in the other direction.
My motor doesn't work	Cable damaged during installation	Check that there is 24V DC between the Wago motors in the weatherproof box (wires coming from the junction box)
My motor activates as soon as it is powered up without manipulation	Voltage on opening and/or closing terminals	Disconnect the two motor wires, blue and white If the motor still operates, replace the motor If the motor no longer operates, replace the key switch. If you have a remote switch or Bluetooth, disconnect the boxes to eliminate this potential cause and carry out the same tests, as they may be the source of the problem.

User's Manual

The person carrying out the operation must ensure that there are no bathers in the pool and must always have a view of the pool during the opening and closing operations.

It is essential to open or close the cover completely, without ever leaving it in an intermediate position.

Always check that the water level in the pool remains constant and complies with the manufacturer's recommendations.

Opening my pool

To open your pool, **unhook the safety straps** opposite the Slatted cover.

Once the straps are unhooked, insert the key in the lock on the Slatted cover and hold the key on the "I" or "II" side so that your Slatted cover opens and then stops automatically.

Remove the key from the Slatted cover when the operation is complete.

Closing my pool

To close your pool, insert the key in the lock on the Slatted cover and hold the key on the "I" or "II" side. The pool will stop automatically when it reaches the closed position.

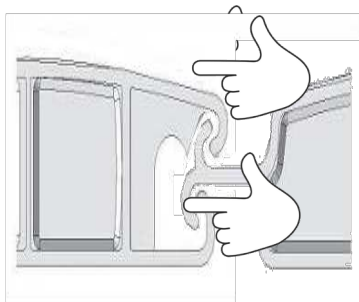
Remove the key from the Slatted cover when the operation is complete.

Attach the safety straps (make sure that the water level allows the Cover to be locked securely).

Use the remote switch (Option)

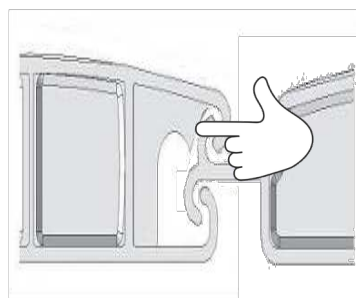
Child protection

Please keep the remote switch out of the reach of children.



Hold for
5s

Press both buttons simultaneously for at least 5 seconds. The circuit board will emit a sound signal



Press the central button once. The circuit board will emit a sound signal

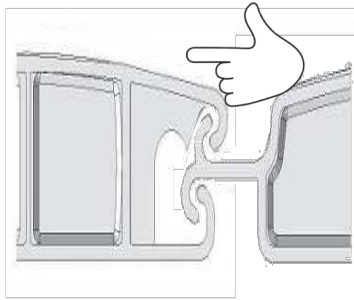
The child protection lock reactivates automatically 8 minutes after each unlocking.

Opening the pool

To open your pool, **unhook the safety straps** opposite the Slatted cover.

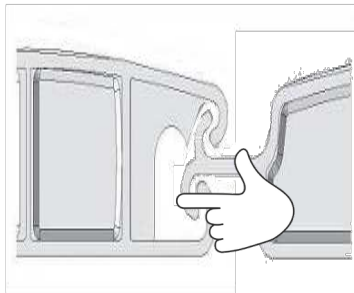
Once the straps are unhooked, deactivate the child protection lock on the switch.

Simply press the top button and the Slatted cover will open and stop automatically.



Closing the pool

To close your pool, press and hold the bottom button so that the cover closes. It will stop automatically when it reaches the closed position, then **fasten the safety straps** (make sure that the water level allows the Cover to be locked in place).



Using Bluetooth (Option)

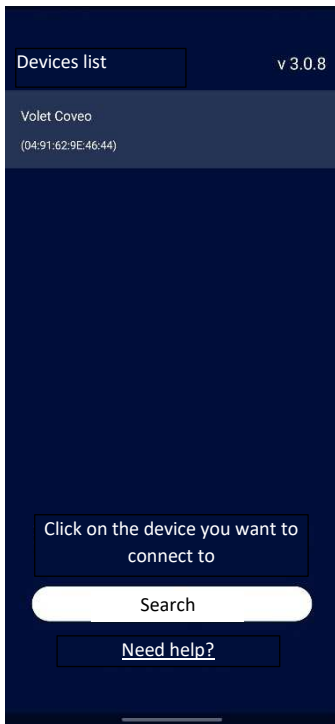
Pairing a new phone

Download the Roll'Connect application directly from Play Store or the App store

To use the Roll'Connect application, Bluetooth must be activated on your phone.

Enter the password. New users will be prompted to set a password.

Once the password has been entered, the application will automatically search for nearby pool covers.

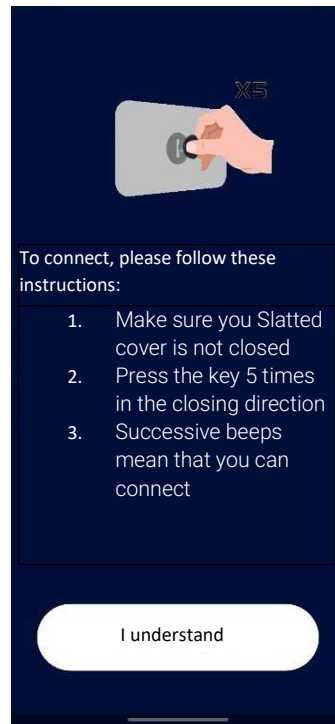


Connection to the motor is now secured.
Press the key switch 5 times in the closing direction to authorise communication with the Bluetooth box.

This procedure must be carried out before attempting to connect to the roller Slatted cover.



Successive beeps lasting 0.5s confirm activation of pairing mode (in the box).



The Slatted cover selection screen then appears.

In the event of a problem, the "Need help?" message is available.

This gives access to the FAQ

Using the Bluetooth application



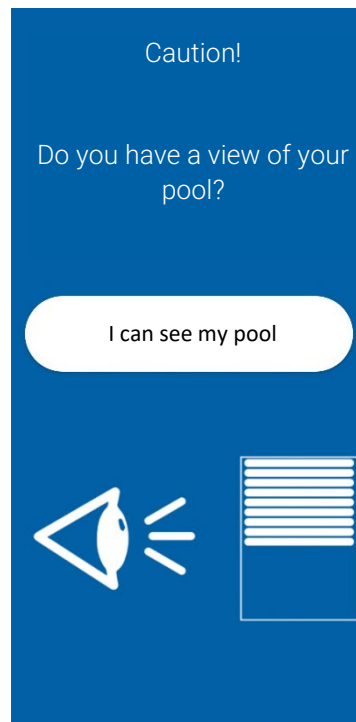
Once the connection with the Slatted cover has been established, the control screen appears.

The application gives access to 2 buttons:
open (top) and close (bottom).

When the open button (above) is touched, the Slatted cover opens.

A simple press is all it takes for the Slatted cover to open automatically, without having to hold down the button.

If you need to stop the Slatted cover opening, press the STOP button.



Caution!

Do you have a view of your pool?

I can see my pool

When the close button (located below) is touched, a warning message is displayed.

To close the cover, you must confirm that you have a direct view of the pool.

Once this has been confirmed, press and hold the close button until the cover comes to a complete stop, which is achieved automatically by the limit switches.

Slatted cover maintenance

Maintenance is the responsibility of the customer.

Walter Slatted covers require very little maintenance. In fact, it is sufficient to clean the slats twice a year (spring and autumn) to guarantee their longevity. You can use a simple sponge (Non-abrasive side) with soapy water and clean the slats as you unroll them from the top of the roller.

Impact of water quality on materials

• The following values must be respected:

- $7 < \text{pH} < 7.6$
- $0.5 < \text{Chlorine} < 3\text{mg/l}$
- Chloride concentration must not exceed 5000ppm
- Water temperature $< 35^\circ\text{C}$
- Conductivity: $< 2,1\text{mS/cm}$
- Iron $< 0.2\text{mg/l}$
- Bromine between 1.5 and 2.5g/m^3

The pool should never be filled with water containing iron (from boreholes, artesian wells, etc.), as this could cause permanent damage to the equipment.

Exceeding the recommended values is the most common reason for corrosion to appear on parts. Whether dosing is automatic or manual, it may not be as accurate as desired. We therefore recommend that you regularly measure the values in the swimming pool water to check that the admissible values are being respected.

• Elements in direct contact with the pool are sensitive to oxidation due to a combination of factors (splashing water, condensation, evaporation) that can lead to a high concentration of chlorides. Regular, thorough cleaning can prevent rust spots. CAUTION: the use of detergents, sulphuric acid, etc. is prohibited.

• Also avoid:

- > Take care not to damage the surface of stainless-steel materials during handling.
- > Any alteration to stainless steel components removes the protective "passivation" layer.
- > The use of standard steel tools on stainless steel parts would cause "carbon contamination".

• In the event of damage to the equipment (visible holes), the affected parts must be replaced.

• Corrosion is always caused by poorly controlled water treatment, improper use of materials or a failure to ground the water, which is why the manufacturer's warranty cannot be invoked.

Influence of water quality on plastic parts, especially slats:

• The PVC and PC used by Walter are of superior quality. Over dosage of chlorine or other pool chemicals will shorten the life of the slats.

• All slats, with the exception of white, sand and light grey PVC, must be protected from exposure to the sun if they are not in contact with water.

• Both PVC and PC slats must have continuous water circulation when the cover is deployed over the pool. If the filtration system is not working, excessive temperatures can cause irreversible damage to the slats, as well as to the pool liner, reinforced PVC, resins, etc. The junction box supplied with the cover can easily manage the forced start-up of the filtration.

CAUTION: when using a variable-speed filtration pump, it should be set to a minimum position to ensure water circulation under the slats. For so-called "solar" slats, the slow speed may not be sufficient, and this could still lead to excessive temperature which could irreversibly deform the slats.

- For so-called "solar" slats, the slow speed may not be sufficient, and this could still lead to excessive temperature which could irreversibly deform the slats. This is manifested by the ends of the slats dipping into the water (when the ambient air is warmer than the pool water), or the ends of the slats coming out of the water (when the pool water is warmer than the ambient air). This phenomenon is more common on darker-coloured slats.
- Slatted cover slats are extruded products. A tolerance of 2mm/m is of no consequence.
- In the case of partial replacement of a Cover or the subsequent addition of slats, it is possible that a difference in colour will be visible.
- In the case of partial replacement of the slats, a difference in colour is inevitable.

Wintering

Active wintering:

- In the event of frost, never attempt to operate your roller Slatted cover.
- For wintering your pool, there is a wintering screen for your roller Slatted cover: SLAT PROTECT LITE

SLAT PROTECT LITE is the ideal complement to an above-ground or immersed roller Slatted cover. The protective cover is made to the inside dimensions of the pool and is attached directly to the cover using small Sandow clips. SLAT PROTECT LITE prevents dirt, leaves and pine needles from depositing on the roller Slatted cover slats, preventing them from becoming dirty and discoloured.



Passive wintering:

- As the water level is low, do not unroll the roller Slatted cover on the water.

Maintenance

After bad weather or if a foreign object falls on the Cover, an inspection must be carried out to check the integrity of the slats and anchoring systems.

An annual check of the safety straps, the straps pulling the slats and the slats themselves is necessary.

If any wear or anomaly is detected, they must be replaced before being used again.

Spare parts must be original or conform to the specifications in the document.

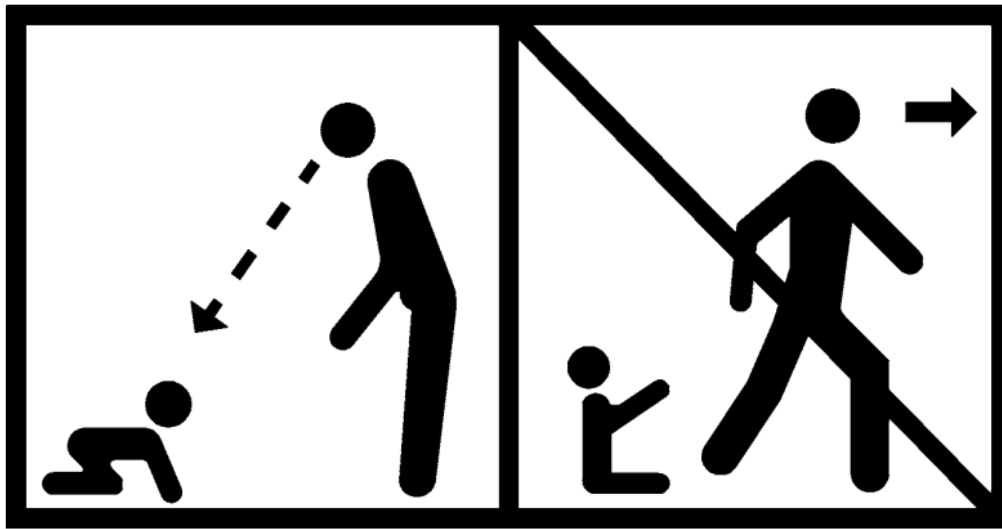
Safety

The axle must not be used as a bench, do not sit on it.

A swimming pool safety cover designed to prevent access to the pool by children under the age of five. A child can drown in less than three minutes; no type of protection will ever replace the supervision and vigilance of a responsible adult.

Warning - The swimming pool can be a serious danger for your children. Drowning can happen very quickly. Children in the vicinity of a swimming pool require your vigilance and active supervision, even if they can swim.

WARNING - The physical presence of a responsible adult is essential when the pool is open.



Learn life-saving skills.

Memorise and display the first aid numbers near the pool:

- Fire brigade: (999 for the UK or 112 from a mobile phone)
- NHS: (111 for the UK)
- Poison control centre.

The person carrying out the operation must ensure that there are no bathers in the pool and must always have a view of the pool during the opening and closing operations. It is essential to open or close the cover completely, without ever leaving it in an intermediate position.

This cover is not a substitute for common sense or individual responsibility. Nor is it intended to replace the vigilance of parents and/or responsible adults, who remain the essential factor in protecting young children.

WARNING - Safety can only be guaranteed if the cover is closed, locked and correctly installed in accordance with the manufacturer's instructions.

- The cover must always be installed when you are away from home, even for a short time:
- Check that there are no bathers or foreign bodies in the pool before and during the operation.
- Store the devices and/or tools required to operate the covers out of the reach of children.
- The operation of the mechanism should only be undertaken by a responsible adult.
- Do not climb, walk or jump on a safety cover or its system.
- Take all measures to prevent access to the pool by young children until the cover is repaired or if a malfunction occurs that prevents the pool from being closed and secured, or if the equipment or pool is temporarily unavailable.
- Respect the water heights defined by the manufacturer.

Guarantee conditions

The guarantee is granted when the normal conditions of installation, use, wintering and maintenance are respected. WALTER will replace defective parts during the warranty period from the date of commissioning. Installation and repairs to the automatic cover must be carried out by a qualified technician.

Guarantee periods

- 3 years for the motor
- 3 years for the junction box

- 3 years on the PVC slats relating to buoyancy, water tightness, disintegration and articulation. And on the mechanics with the exception of corrosion.

Guarantee exclusions

- > Deformation of polycarbonate slats due to lack of contact with the water.
- > Damage caused by hail, storm or lightning.
- > Modifications made to a WALTER cover without our consent.
- > Labour costs for dismantling and reassembly.
- > The cost of damages and any claims for penalties.

Information on the cover

Swimming pool safety cover designed to prevent access to the pool by children under the age of 5.

Cover model: RollTop 100

Range of pool dimensions covered: - Minimum width of 2.20 m and maximum of 5.00 m
- Maximum length 13m

Gap between top of coping and water level: Minimum 65mm and Maximum: 100mm

Weight: - Feet + axle = 15Kg
- Cover = 4Kg/m²

Period of use: All seasons except when deck is caught in ice.

Beware of hail (check with your insurance company).

Estimated handling time: Manoeuvring time for 8 x 4m pool: 4 Min 30, locking or unlocking of safety clamps 30 seconds.

Number of people handling: 1 person

Unloading the crate: 2 people

Troubleshooting

If you have any problems using your roller Slatted cover, please contact your installer.

Installed by:

Customer reference:

Date:



WaluRoll

Above-ground slatted cover



Questions? If you have any problems installing your pool cover, you can send an e-mail with photos to service@walter-pool.com

Walter Pool
2 rue de l'industrie - 67,490 DETTWILLER
Tel. +33 3 90 29 51 00
info@walter-pool.com